

VICINITY MAP

N.T.S.

NEW RESIDENCE 108 DOLTON AVENUE SAN CARLOS (SMCO), CA 94070

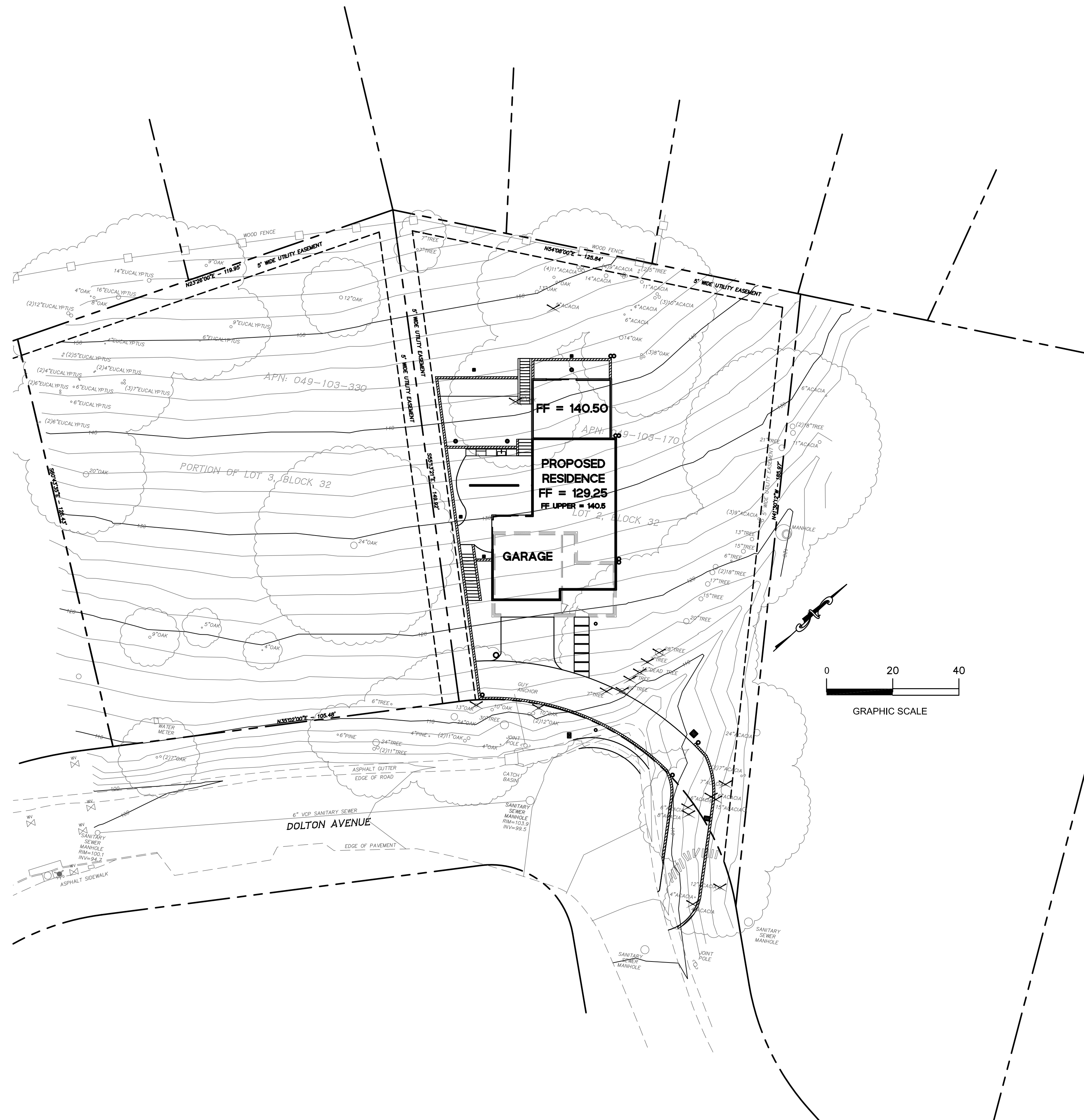


LOCATION MAP

N.T.S.

ABBREVIATIONS

AB	AGGREGATE BASE
AC	ASPHALT CONCRETE
AD	AREA DRAIN
ATD	ATRIUM DRAIN
BFP	BACK FLOW PREVENTION DEVICE
BW	BOTTOM OF WALL ELEVATION
CB	CATCH BASIN
CL	CENTER LINE
CS	CRAWL SPACE ELEVATION
CIP	CAST IRON PIPE
CONC	CONCRETE
DD	DECK DRAIN
DDCV	DOUBLE DETECTOR CHECK VALVE
DG	DECOMPOSED GRANITE
DIP	DUCTILE IRON PIPE
DS	ROOF DOWN SPOUT
DWY	DRIVEWAY
(E)	EXISTING
ELEC	ELECTRICAL
EM	ELECTRICAL METER
EP	EDGE OF PAVEMENT
FC	FACE OF CURB ELEVATION
FDC	FIRE DEPARTMENT CONNECTION
FF	FINISHED FLOOR ELEVATION
FG	FINISHED GROUND ELEVATION
FL	FLOW LINE ELEVATION
FM	FORCE MAIN LINE
FS	FINISHED SURFACE ELEVATION
FP	FINISHED PAVEMENT ELEVATION
FW	FIRE WATER LINE
GB	GRADE BREAK
GM	GAS METER
GR	GRATE ELEVATION
GV	GATE VALVE
HP	HIGH POINT
HW	HEATED WATER LINE
INV	PIPE INVERT ELEVATION
JT	JOINT TRENCH
JP	JOINT POLE
LD	LANDSCAPE DRAIN
LF	LINEAR FEET
LP	LOW POINT
(N)	NEW
PIV	POST INDICATOR VALVE
POC	POINT OF CONNECTION
RIM	RIM ELEVATION
S	SLOPE
SAP	SEE ARCHITECTURAL PLANS
SBD	STORM SUB DRAIN
SBD/CO	STORM SUB DRAIN CLEANOUT
SD	STORM DRAIN
SDCO	STORM DRAIN CLEANOUT
SGR	SEE GEOTECHNICAL REPORT
SICB	SIDE INLET CATCH BASIN
SLP	SEE LANDSCAPE PLANS
SPP	SEE PLUMBING PLANS
SS	SANITARY SEWER
SSCO	SANITARY SEWER CLEANOUT
SSP	SEE STRUCTURAL PLANS
TW	TOP OF WALL ELEVATION
TYP	TYPICAL
VD	PIPE VERTICAL DROP
W	DOMESTIC WATER LINE
WM	WATER METER



LEGEND:

EXISTING	PROPOSED	LEGEND:
SS	SS	SANITARY SEWER
SD	SD	STORM DRAIN
	- - - -	STORM SUB-DRAIN (PERFORATED PIPE)
	- - - -	TRANSITION FROM PERF. PIPE TO SOLID PIPE
FM	FM	FORCE MAIN
FW	FW	FIRE WATER LINE
W	W	DOMESTIC WATER SERVICE
IRR	IRR	IRRIGATION SERVICE
G	G	NATURAL GAS
E	E	ELECTRIC
JT	JT	JOINT TRENCH
X	X	FENCE
O	O	CLEAN OUT
	⊗	DOUBLE DETECTOR CHECK VALVE
	⊕	POST INDICATOR VALVE
	⊖	VALVE
	⊙	METER BOX
	⊛	STREET LIGHT
	⊜	AREA DRAIN
	⊝	CATCH BASIN
	⊞	FIRE HYDRANT
	⊠	FIRE DEPARTMENT CONNECTION
	⊡	BENCHMARK
	⊢	MANHOLE
	⊣	SIGN
	⊤	DOWNSPOUT
	⊥	SPLASH BLOCK
	⊦	CONTOURS
	⊧	PROPERTY LINE
	⊨	SETBACK
	⊩	GRASS SWALE
	⊪	RETAINING WALL/ BUILDING STEMWALL
	⊫	(E) TREE TO BE REMOVED

SHEET INDEX

SHEET NO.	DESCRIPTION
C-0	TITLE SHEET
C-1	NOTES SHEET
C-2	GRADING AND UTILITY PLAN
C-3	EROSION AND SEDIMENT CONTROL PLAN
C-3.1	BEST MANAGEMENT PRACTICES (BMPs)
C-3.2	TREE PROTECTION PLAN
C-4	DETAIL SHEET
C-4.1	DETAIL SHEET
C-4.2	DETAIL SHEET

HYDROLOGY

(E) IMPERVIOUS AREA	(N) IMPERVIOUS AREA	REQUIRED STORAGE VOL.	STORAGE VOL. PROVIDED
0 SF	4,167 SF	250 CF	251 CF

EARTHWORK QUANTITIES

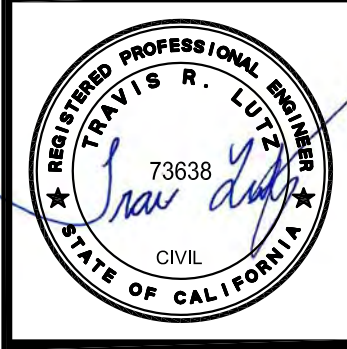
GROSS QUANTITIES:		QUANTITY BREAKDOWN:	
CUT	670 C.Y.	BUILDINGS:	
FILL	225 C.Y.	CUT	225 C.Y.
TOTAL TO BE MOVED	895 C.Y.	FILL	25 C.Y.
BALANCE	445 C.Y. CUT (OFF-HAUL)	SITE WORK:	
		CUT	445 C.Y.
		FILL	200 C.Y.
NET QUANTITIES (BUILDING AND STRUCTURES OMITTED):			
CUT	445 C.Y.		
FILL	200 C.Y.		
TOTAL TO BE MOVED	645 C.Y.		
BALANCE	245 C.Y. CUT (OFF-HAUL)		

EARTHWORK QUANTITIES SHOWN ABOVE ARE FOR PLANNING PURPOSES ONLY. CONTRACTOR SHALL CALCULATE THEIR OWN EARTHWORK QUANTITIES, AND USE THEIR CALCULATIONS FOR BIDDING AND COST ESTIMATING PURPOSES.

PRECISION ENGINEERING AND CONSTRUCTION, INC.
13318 Old County Road
Belmont, CA 94002
T: 650.226.8640
Travis@precision-ec.com

DATE: _____

REVISIONS:



TITLE SHEET
NEW RESIDENCE
108 DOLTON AVENUE
SAN CARLOS (SMCO), CA 94070

Date: 05/21/2024

Scale: AS SHOWN

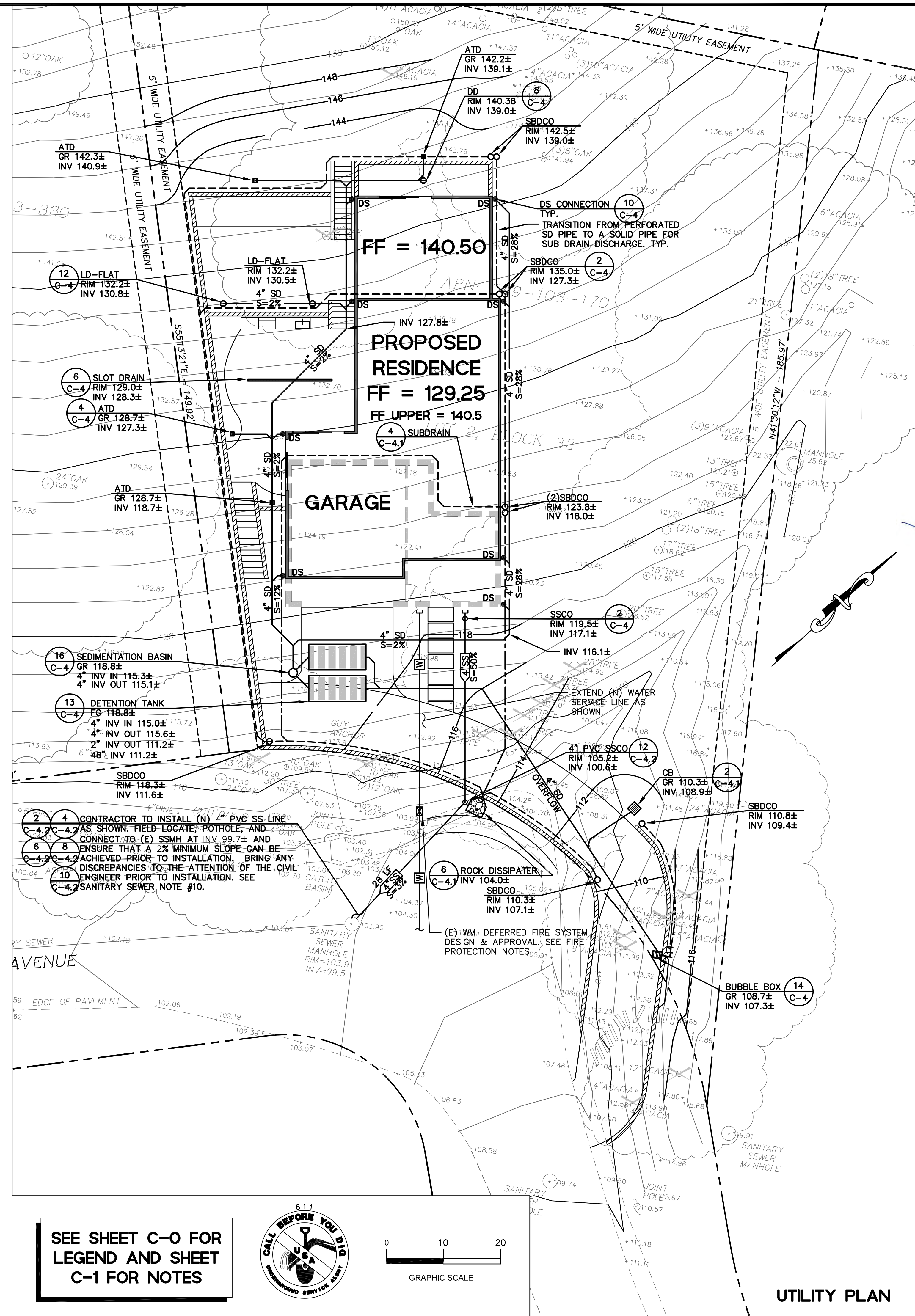
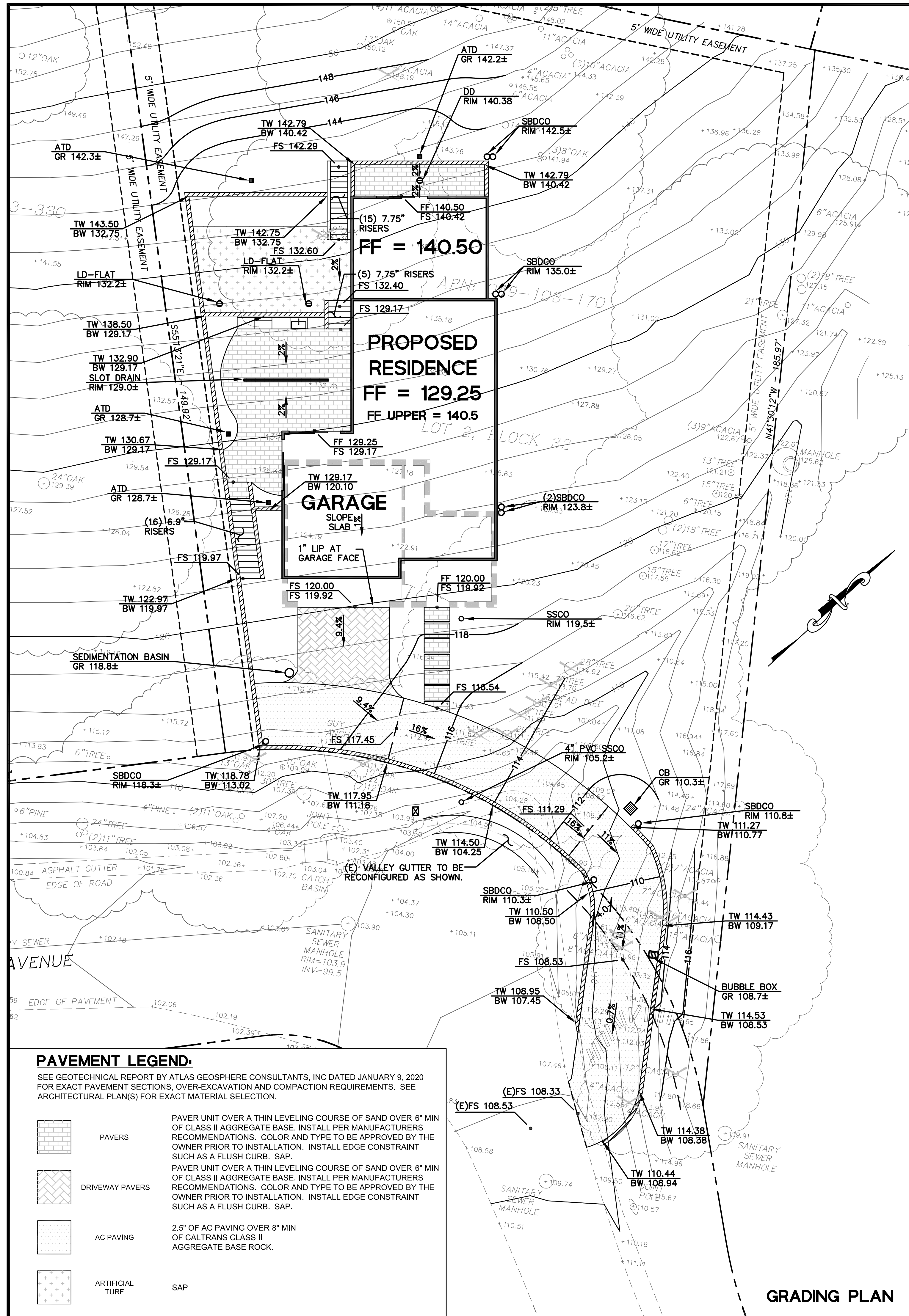
Design: AJP

Check: TRL

Drawing Number: C-0

PEC Job No. PEC 24-034



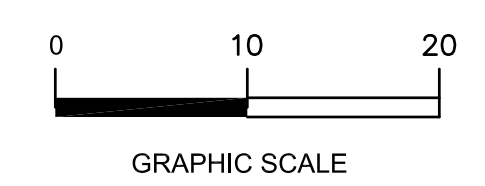


PAVEMENT LEGEND:

SEE GEOTECHNICAL REPORT BY ATLAS GEOSPHERE CONSULTANTS, INC DATED JANUARY 9, 2020 FOR EXACT PAVEMENT SECTIONS, OVER-EXCAVATION AND COMPACTION REQUIREMENTS. SEE ARCHITECTURAL PLAN(S) FOR EXACT MATERIAL SELECTION.

	PAVERS	PAVER UNIT OVER A THIN LEVELING COURSE OF SAND OVER 6" MIN OF CLASS II AGGREGATE BASE. INSTALL PER MANUFACTURERS RECOMMENDATIONS. COLOR AND TYPE TO BE APPROVED BY THE OWNER PRIOR TO INSTALLATION. INSTALL EDGE CONSTRAINT SUCH AS A FLUSH CURB. SAP.
	DRIVEWAY PAVERS	PAVER UNIT OVER A THIN LEVELING COURSE OF SAND OVER 6" MIN OF CLASS II AGGREGATE BASE. INSTALL PER MANUFACTURERS RECOMMENDATIONS. COLOR AND TYPE TO BE APPROVED BY THE OWNER PRIOR TO INSTALLATION. INSTALL EDGE CONSTRAINT SUCH AS A FLUSH CURB. SAP.
	AC PAVING	2.5" OF AC PAVING OVER 8" MIN OF CALTRANS CLASS II AGGREGATE BASE ROCK.
	ARTIFICIAL TURF	SAP

SEE SHEET C-0 FOR LEGEND AND SHEET C-1 FOR NOTES



PRECISION ENGINEERING AND CONSTRUCTION, INC.
13318 Old County Road
Belmont, CA 94002
T: 650.226.8640
Travis@precision-ec.com

DATE: _____

REVISIONS:

NO.	DESCRIPTION

REGISTERED PROFESSIONAL ENGINEER
73638
Travis
CIVIL
STATE OF CALIFORNIA

GRADING AND UTILITY PLAN
NEW RESIDENCE
108 DOLTON AVENUE
SAN CARLOS (SMCO), CA 94070

Date: 05/21/2024
Scale: 1" = 10'
Design: AJP
Check: TRL
Drawing Number: C-2
PEC Job No.: PEC 24-034

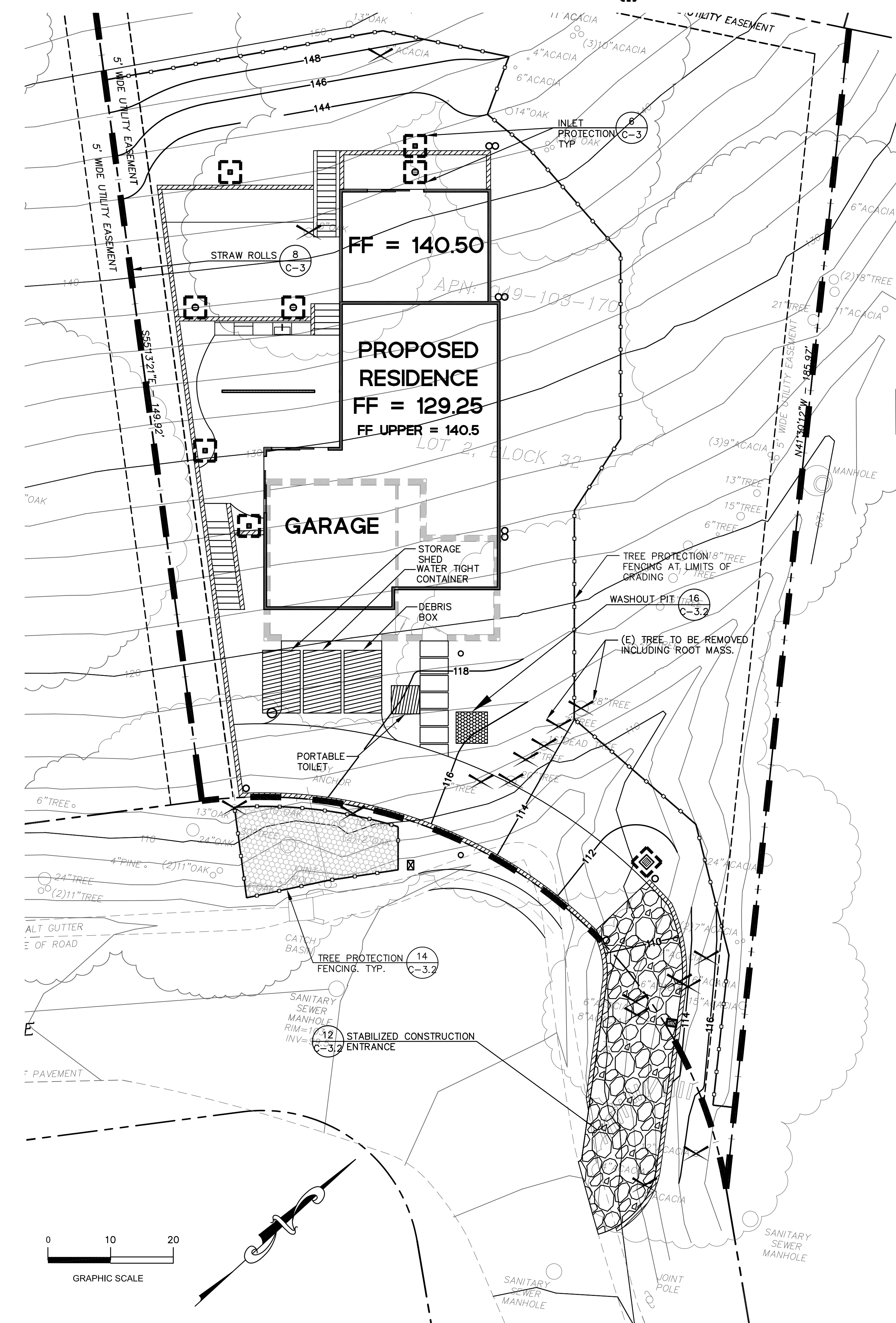
EC POINT OF CONTACT:
TO BE DETERMINED

CONSTRUCTION SCHEDULE:
ANTICIPATED CONSTRUCTION DURATION 18 MONTHS

EC SYMBOL LEGEND:

STRAW ROLLS

INLET PROTECTION

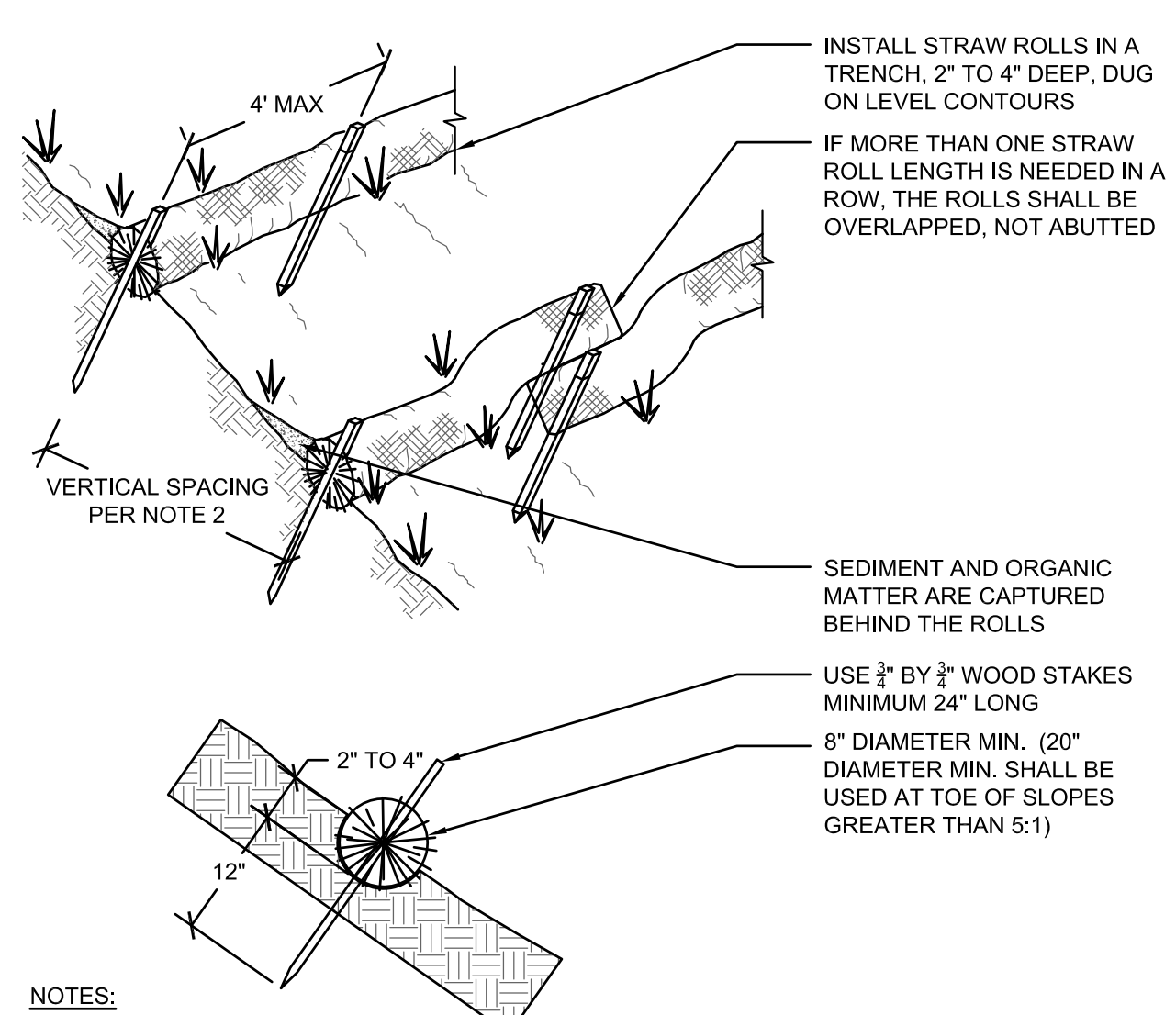
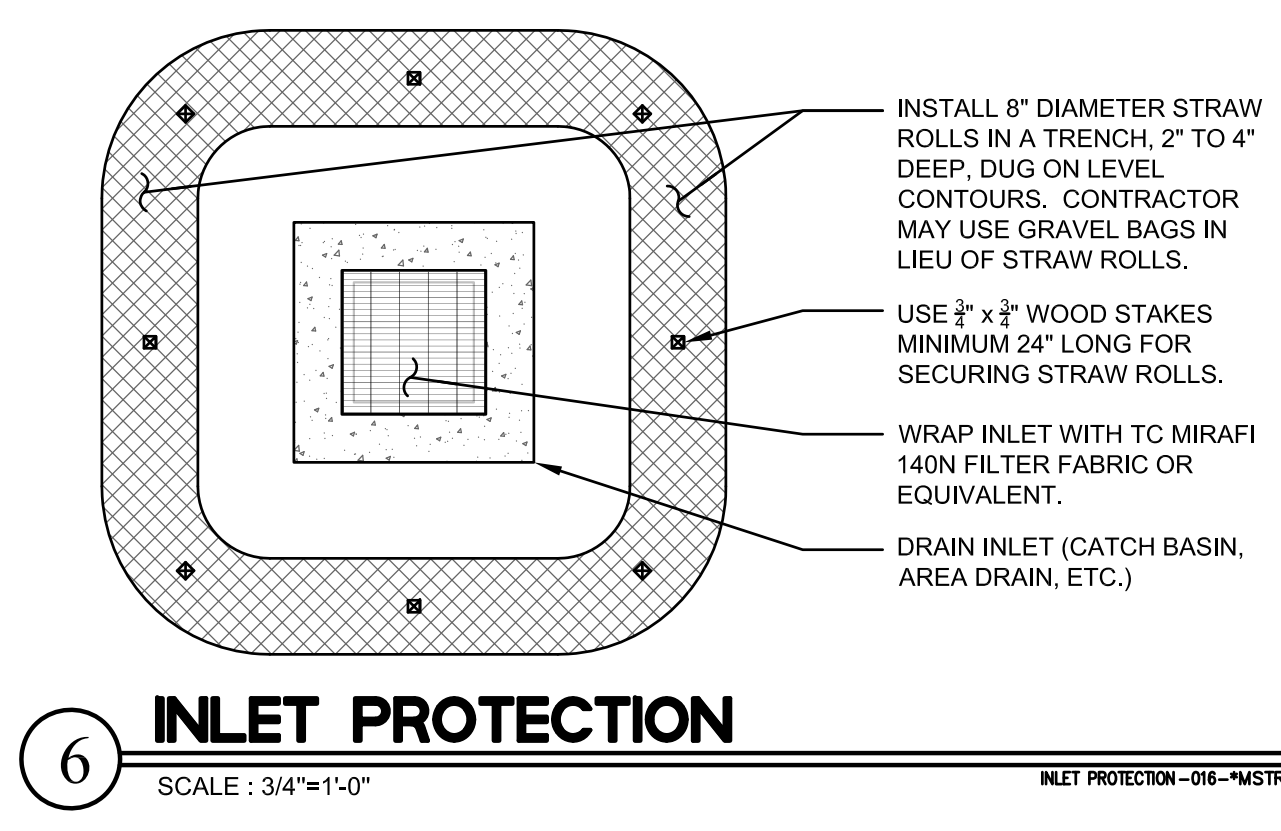


EROSION AND SEDIMENTATION CONTROL NOTES:

- ALL EROSION CONTROL MATERIALS SHALL BE FURNISHED AND INSTALLED BY CONTRACTOR, UNLESS OTHERWISE NOTED, BY OCTOBER 1ST AND SHALL CONTINUE IN EFFECT UNTIL APRIL 30TH OR UNTIL INSTALLATION OF THE PERMANENT SITE IMPROVEMENTS.
- CONTRACTOR SHALL ASSUME THE CONCEPTS ON THE EROSION CONTROL PLAN WHICH ARE SCHEMATIC MINIMUM REQUIREMENTS, THE FULL EXTENT OF WHICH ARE TO BE DETERMINED BY THE CONTRACTOR. CONTRACTOR IS RESPONSIBLE FOR THE EXACT DESIGN AND EXTENT OF THE EROSION CONTROL SYSTEM SO THAT IT WORKS WITH THE CONTRACTOR'S INTENDED USE AND MANAGEMENT OF THE CONSTRUCTION SITE.
- ALL EROSION CONTROL FACILITIES SHALL BE INSPECTED BY THE CONTRACTOR AND REPAIRED, AS REQUIRED, AT THE CONCLUSION OF EACH WORKING DAY DURING THE RAINY SEASON. THE CONTRACTOR SHALL INSPECT THE EROSION CONTROL FACILITIES AND MAKE NECESSARY REPAIRS PRIOR TO ANTICIPATED STORMS AND AT REASONABLE INTERVALS DURING STORMS OF EXTENDED DURATION. REPAIRS TO DAMAGED FACILITIES SHALL BE MADE IMMEDIATELY UPON DISCOVERY.
- AS SOON AS PRACTICAL FOLLOWING EACH STORM, THE CONTRACTOR SHALL REMOVE ANY ACCUMULATION OF SILT OR DEBRIS IN THE STREET AND FROM THE EROSION CONTROL SEDIMENT BASINS AND SHALL CLEAR THE OUTLET PIPES OF ANY BLOCKAGE.
- NECESSARY EROSION CONTROL MATERIALS SHALL BE AVAILABLE ON SITE AND STOCKPILED AT CONVENIENT LOCATIONS TO FACILITATE RAPID CONSTRUCTION OF TEMPORARY DEVICES WHEN RAIN IS IMMINENT.
- THE CONTRACTOR IS RESPONSIBLE FOR ALL DUST CONTROL MEASURES AND FOR OBTAINING ALL REQUIRED PERMITS AND APPROVALS.
- WATER TRUCKS SHALL BE PRESENT AND IN USE AT THE CONSTRUCTION SITE. ALL PORTIONS OF THE SITE SUBJECT TO BLOWING DUST SHALL BE WATERED AS OFTEN AS DEEMED NECESSARY BY GREYSTONE WEST AND/OR THE DISTRICT IN ORDER TO INSURE PROPER CONTROL OF BLOWING DUST FOR THE DURATION OF THE PROJECT.
- WHEEL WASHERS SHALL BE INSTALLED AND USED TO CLEAN ALL TRUCKS AND EQUIPMENT LEAVING THE CONSTRUCTION SITE. IF WHEEL WASHERS CANNOT BE INSTALLED, TIRES OR TRACKS OF ALL TRUCKS AND EQUIPMENT SHALL BE WASHED OFF BEFORE LEAVING THE CONSTRUCTION SITE.
- THE CONTRACTOR SHALL DEMONSTRATE DUST SUPPRESSION MEASURES, SUCH AS REGULAR WATERING, WHICH SHALL BE IMPLEMENTED TO REDUCE EMISSIONS DURING CONSTRUCTION AND GRADING IN A MANNER MEETING THE APPROVAL OF THE CONSTRUCTION MANAGER. THIS SHALL ASSIST IN REDUCING SHORT-TERM IMPACTS FROM PARTICLES WHICH COULD RESULT IN NUISANCES THAT ARE PROHIBITED BY RULE 403 (FUGITIVE DUST).

EROSION AND SEDIMENTATION CONTROL NOTES CONT.:

- GRADING OR ANY OTHER OPERATIONS THAT CREATES DUST SHALL BE STOPPED IMMEDIATELY IF DUST AFFECTS ADJACENT PROPERTIES. THE CONTRACTOR SHALL PROVIDE SUFFICIENT DUST CONTROL FOR THE ENTIRE PROJECT SITE AT ALL TIMES. THE SITE SHALL BE WATERED AS NECESSARY TO PREVENT DUST NUISANCE. IN THE EVENT THAT THE CONTRACTOR NEGLECTS TO USE ADEQUATE MEASURES TO CONTROL DUST, THE HOME OWNER RESERVES THE RIGHT TO TAKE WHATEVER MEASURES ARE NECESSARY TO CONTROL DUST AND CHARGE THE COST TO THE CONTRACTOR.
- ERODED SEDIMENTS AND OTHER POLLUTANTS MUST BE RETAINED ON SITE AND MAY NOT BE TRANSPORTED FROM THE SITE VIA VEHICLE TRAFFIC, SHEET FLOW, SWALES, AREA DRAINS, NATURAL DRAINAGE COURSES, OR WIND. THE CONSTRUCTION ENTRANCE ROADWAYS MUST BE STABILIZED SO AS TO INHIBIT SEDIMENTS FROM BEING DEPOSITED INTO THE PUBLIC RIGHT-OF-WAY. ACCIDENTAL DEPOSITIONS MUST BE SWEEPED UP IMMEDIATELY AND MAY NOT BE WASHED DOWN BY RAIN OR OTHER MEANS.
- STOCKPILES OF EARTH AND OTHER CONSTRUCTION RELATED MATERIALS MUST BE PROTECTED FROM BEING TRANSPORTED FROM THE SITE BY THE FORCES OF WIND OR WATER. COVER STOCKPILED MATERIAL WITH VISQUEEN OR A TARPULIN UNTIL THE MATERIAL IS REMOVED FROM THE SITE. ANY REMAINING BARE SOIL THAT EXISTS AFTER THE STOCKPILE HAS BEEN REMOVED SHALL BE COVERED UNTIL A NATURAL GROUND COVER IS ESTABLISHED OR IT MAY BE SEEDED OR PLANTED TO PROVIDE GROUND COVER PRIOR TO THE FALL RAINY SEASON.
- ANY SLOPES WITH DISTURBED SOILS OR DENUDED OF VEGETATION MUST BE STABILIZED SO AS TO INHIBIT EROSION BY WIND AND WATER.
- ALL TRUCKS HAULING SOIL, SAND, AND OTHER LOOSE MATERIALS SHALL BE COVERED WITH TARPULINS OR OTHER EFFECTIVE COVERS.
- FUELS, OILS, SOLVENTS, AND OTHER TOXIC MATERIALS MUST BE STORED IN ACCORDANCE WITH THEIR LISTING AND ARE NOT TO CONTAMINATE THE SOIL AND SURFACE WATERS. ALL APPROVED STORAGE CONTAINERS ARE TO BE PROTECTED FROM THE WEATHER. SPILLS MUST BE CLEANED UP IMMEDIATELY AND DISPOSED OF IN A PROPER MANNER. SPILLS MAY NOT BE WASHED INTO THE DRAINAGE SYSTEM.
- EXCESS OR WASTE CONCRETE MAY NOT BE WASHED INTO THE PUBLIC RIGHT-OF-WAY OR ANY OTHER DRAINAGE SYSTEM. PROVISIONS SHALL BE MADE TO RETAIN CONCRETE WASTES ON SITE UNTIL THEY CAN BE DISPOSED OF AS SOLID WASTE. NEVER CLEAN MACHINERY, EQUIPMENT OR TOOLS INTO A STREET, GUTTER OR STORM DRAIN.
- TRASH AND CONSTRUCTION RELATED SOLID WASTES MUST BE DEPOSITED INTO A COVERED RECEPTACLE TO PREVENT CONTAMINATION AND DISPERSAL BY WIND.
- CLEAN UP ALL SPILLS USING DRY METHODS.
- CALL 911 IN CASE OF A HAZARDOUS SPILL.
- BMP'S AS OUTLINED IN, BUT NOT LIMITED TO, CALIFORNIA STORM WATER QUALITY TASK FORCE, SACRAMENTO, CALIFORNIA, JANUARY 2003, OR THE LATEST REVISED EDITION, MAY APPLY DURING THE CONSTRUCTION OF THE PROJECT. ALL CONSTRUCTION IMPROVEMENTS SHALL ADHERE TO NPDES (NATIONAL POLLUTION DISCHARGE ELIMINATION SYSTEM) BEST MANAGEMENT PRACTICES TO PREVENT DELETERIOUS OR POLLUTANTS FROM ENTERING THE CITY OR COUNTY STORM DRAIN SYSTEMS. ADDITIONAL MATERIALS MAY BE REQUIRED IF DEEMED APPROPRIATE BY CITY INSPECTORS.
- PROTECT ADJACENT PROPERTIES AND UNDISTURBED AREAS FROM CONSTRUCTION IMPACTS USING VEGETATIVE BUFFER STRIPS, SEDIMENT BARRIERS OR FILTERS, DIKES, MULCHING OR OTHER MEASURES AS APPROPRIATE.
- CONTRACTOR SHALL MAINTAIN ADJACENT STREETS IN A NEAT, CLEAN, DUST FREE AND SANITARY CONDITION AT ALL TIMES AND TO THE SATISFACTION OF THE TOWN AND HOME OWNER. THE ADJACENT STREET SHALL BE KEPT CLEAN OF DEBRIS, WITH DUST AND OTHER NUISANCE BEING CONTROLLED AT ALL TIMES. CONTRACTOR SHALL BE RESPONSIBLE FOR ANY CLEAN UP ON ADJACENT STREETS AFFECTED BY THEIR CONSTRUCTION, METHOD OF STREET CLEANING SHALL BE BY DRY SWEEPING OF ALL PAVED AREAS. NO STOCKPILING OF BUILDING MATERIALS WITHIN THE RIGHT-OF-WAY IS PERMITTED.
- UPON SATISFACTORY COMPLETION OF THE WORK, THE ENTIRE WORK SITE SHALL BE CLEANED BY THE CONTRACTOR AND LEFT WITH A SMOOTH AND NEATLY GRADED SURFACE FREE OF CONSTRUCTION WASTE, RUBBISH, AND DEBRIS OF ANY NATURE.
- THE CONTRACTOR SHALL ADHERE TO NPDES (NATIONAL POLLUTION DISCHARGE ELIMINATION SYSTEM) BEST MANAGEMENT PRACTICES (BMP) FOR SEDIMENTATION PREVENTION AND EROSION CONTROL TO PREVENT DELETERIOUS MATERIALS OR POLLUTANTS FROM ENTERING THE TOWN OF COUNTY STORM DRAIN SYSTEMS.
- SEDIMENTS AND OTHER MATERIALS SHALL NOT BE TRACKED FROM THE SITE BY VEHICLE TRAFFIC. THE CONTRACTOR SHALL INSTALL A STABILIZED CONSTRUCTION ENTRANCE PRIOR TO THE INCEPTION OF ANY WORK ON-SITE AND MAINTAIN IT FOR THE DURATION OF THE CONSTRUCTION PROCESS SO AS TO INHIBIT SEDIMENTS FROM BEING DEPOSITED INTO THE PUBLIC RIGHT-OF-WAY UNTIL THE COMPLETION OF ALL LANDSCAPING.
- THE CONTRACTOR SHALL PROTECT DOWN SLOPE DRAINAGE COURSES, STREAMS AND STORM DRAINS WITH ROCK FILLED SAND BAGS, TEMPORARY SWALES, SILT FENCES, AND EARTH PERMS IN CONJUNCTION WITH PROPERLY INSTALLED INLET FILTERS.
- SILT FENCE(S) AND FIBER ROLL(S) SHALL BE INSTALLED PRIOR TO SEPTEMBER 15 AND SHALL REMAIN IN PLACE UNTIL THE LANDSCAPING GROUND COVER IS INSTALLED. CONTRACTOR SHALL CONTINUOUSLY MONITOR THESE MEASURES, FOLLOWING AND DURING ALL RAIN EVENTS, TO ENSURE THEIR PROPER FUNCTION.
- PERFORM CLEARING AND EARTH-MOVING ACTIVITIES ONLY DURING DRY WEATHER. MEASURES TO ENSURE ADEQUATE EROSION AND SEDIMENT CONTROL SHALL BE INSTALLED PRIOR TO EARTH-MOVING ACTIVITIES AND CONSTRUCTION.
- MEASURES TO ENSURE ADEQUATE EROSION AND SEDIMENT CONTROL ARE REQUIRED YEAR-ROUND. STABILIZE ALL DENUDED AREAS AND MAINTAIN EROSION CONTROL MEASURES CONTINUOUSLY BETWEEN OCTOBER 1 AND APRIL 30.
- STORE, HANDLE, AND DISPOSE OF CONSTRUCTION MATERIALS AND WASTES PROPERLY, SO AS TO PREVENT THEIR CONTACT WITH STORMWATER.
- CONTROL AND PREVENT THE DISCHARGE OF ALL POTENTIAL POLLUTANTS, INCLUDING PAVEMENT CUTTING WASTES, PAINTS, CONCRETE, PETROLEUM PRODUCTS, CHEMICALS, WASH WATER OR SEDIMENTS, AND NON-STORMWATER DISCHARGES TO STORM DRAINS AND WATERCOURSES.
- USE SEDIMENT CONTROLS OR FILTRATION TO REMOVE SEDIMENT WHEN DEWATERING SITE AND OBTAIN REGIONAL WATER QUALITY CONTROL BOARD (RWQCB) PERMIT(S) AS NECESSARY.
- AVOID CLEANING, FUELING, OR MAINTAINING VEHICLES ON-SITE, EXCEPT IN A DESIGNATED AREA WHERE WASH WATER IS CONTAINED AND TREATED.
- LIMIT AND TIME APPLICATIONS OF PESTICIDES AND FERTILIZERS TO PREVENT POLLUTED RUNOFF.
- LIMIT CONSTRUCTION ACCESS ROUTES TO STABILIZED, DESIGNATED ACCESS POINTS.
- AVOID TRACKING DIRT OR OTHER MATERIALS OFF-SITE; CLEAN OFF-SITE PAVED AREAS AND SIDEWALKS USING DRY SWEEPING METHODS.
- TRAIN AND PROVIDE INSTRUCTION TO ALL EMPLOYEES AND SUBCONTRACTORS REGARDING THE WATERSHED PROTECTION MAINTENANCE STANDARDS AND CONSTRUCTION BEST MANAGEMENT PRACTICES.
- PLACEMENT OF EROSION MATERIALS AT THESE LOCATIONS IS REQUIRED ON WEEKENDS AND DURING RAIN EVENTS: (LIST LOCATIONS).
- THE AREAS DELINEATED ON THE PLANS FOR PARKING, GRUBBING, STORAGE ETC., SHALL NOT BE ENLARGED OR 'RUN OVER.'
- CONSTRUCTION SITES ARE REQUIRED TO HAVE EROSION CONTROL MATERIALS ON-SITE DURING THE 'OFF-SEASON.'
- DUST CONTROL IS REQUIRED YEAR-ROUND.
- EROSION CONTROL MATERIALS SHALL BE STORED ON-SITE.
- USE OF PLASTIC SHEETING BETWEEN OCTOBER 1ST AND APRIL 30TH IS NOT ACCEPTABLE, UNLESS FOR USE ON STOCKPILES WHERE THE STOCKPILE IS ALSO PROTECTED WITH FIBER ROLLS CONTAINING THE BASE OF THE STOCKPILE.



- NOTES:**
- INSTALL SUCH THAT RUNOFF WILL NOT BE ALLOWED TO RUN UNDER OR AROUND ROLL. TURN ENDS UP SLOPE TO PREVENT RUNOFF FROM GOING AROUND ROLL.
 - SPACE STRAW ROLLS AS FOLLOWS:
 - SLOPE OF 4:1 OR FLATTER = 20 FEET APART
 - SLOPE BETWEEN 4:1 AND 2:1 = 15 FEET APART
 - SLOPE OF 2:1 OR GREATER = 10 FEET APART
 - INSPECT AND REPAIR STRAW ROLLS AFTER EACH STORM EVENT AND REMOVE SEDIMENT WHEN NECESSARY. REMOVED SEDIMENT SHALL BE DEPOSITED TO AN AREA THAT WILL NOT CONTRIBUTE SEDIMENT OFF-SITE.
 - IN LIEU OF STRAW ROLL INSTALLATION AROUND PROJECT PERIMETER, CONTRACTOR HAS OPTION TO PRESERVE A NATURAL VEGETATED BUFFER 3 FOOT MINIMUM IN WIDTH OR A 6 INCH HIGH BERM.

SEE SHEET C-0 FOR LEGEND AND SHEET C-1 FOR NOTES



PRECISION ENGINEERING AND CONSTRUCTION INC.
13318 Old County Road
Belmont, CA 94002
T: 650.226.8640
Travis@precision-ec.com

DATE: _____
REVISIONS: _____

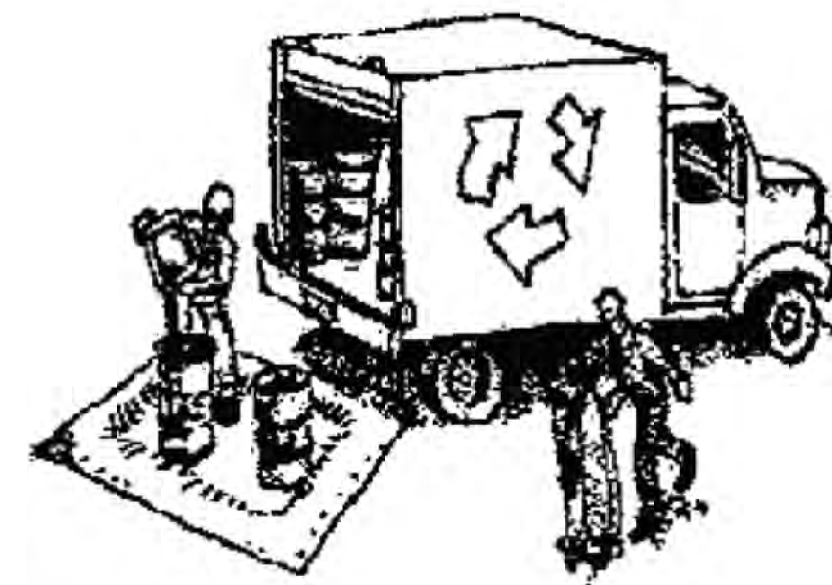
EROSION AND SEDIMENT CONTROL PLAN
NEW RESIDENCE
108 DOLTON AVENUE
SAN CARLOS (SMCO), CA 94070

Date: 05/21/2024
Scale: AS SHOWN
Design: AJP
Check: TRL
Drawing Number: C-3
PEC Job No.: PEC 24-034

Construction Best Management Practices (BMPs)

Construction projects are required to implement the stormwater best management practices (BMP) on this page, as they apply to your project, all year long.

Materials & Waste Management



Non-Hazardous Materials

- Berm and cover stockpiles of sand, dirt or other construction material with tarps when rain is forecast or if not actively being used within 14 days.
- Use (but don't overuse) reclaimed water for dust control.

Hazardous Materials

- Label all hazardous materials and hazardous wastes (such as pesticides, paints, thinners, solvents, fuel, oil, and antifreeze) in accordance with city, county, state and federal regulations.
- Store hazardous materials and wastes in water tight containers, store in appropriate secondary containment, and cover them at the end of every work day or during wet weather or when rain is forecast.
- Follow manufacturer's application instructions for hazardous materials and be careful not to use more than necessary. Do not apply chemicals outdoors when rain is forecast within 24 hours.
- Arrange for appropriate disposal of all hazardous wastes.

Waste Management

- Cover waste disposal containers securely with tarps at the end of every work day and during wet weather.
- Check waste disposal containers frequently for leaks and to make sure they are not overfilled. Never hose down a dumpster on the construction site.
- Clean or replace portable toilets, and inspect them frequently for leaks and spills.
- Dispose of all wastes and debris properly. Recycle materials and wastes that can be recycled (such as asphalt, concrete, aggregate base materials, wood, gyp board, pipe, etc.)
- Dispose of liquid residues from paints, thinners, solvents, glues, and cleaning fluids as hazardous waste.

Construction Entrances and Perimeter

- Establish and maintain effective perimeter controls and stabilize all construction entrances and exits to sufficiently control erosion and sediment discharges from site and tracking off site.
- Sweep or vacuum any street tracking immediately and secure sediment source to prevent further tracking. Never hose down streets to clean up tracking.

Equipment Management & Spill Control



Maintenance and Parking

- Designate an area, fitted with appropriate BMPs, for vehicle and equipment parking and storage.
- Perform major maintenance, repair jobs, and vehicle and equipment washing off site.
- If refueling or vehicle maintenance must be done onsite, work in a bermed area away from storm drains and over a drip pan or drop cloths big enough to collect fluids. Recycle or dispose of fluids as hazardous waste.
- If vehicle or equipment cleaning must be done onsite, clean with water only in a bermed area that will not allow rinse water to run into gutters, streets, storm drains, or surface waters.
- Do not clean vehicle or equipment onsite using soaps, solvents, degreasers, or steam cleaning equipment.

Spill Prevention and Control

- Keep spill cleanup materials (e.g., rags, absorbents and cat litter) available at the construction site at all times.
- Inspect vehicles and equipment frequently for and repair leaks promptly. Use drip pans to catch leaks until repairs are made.
- Clean up spills or leaks immediately and dispose of cleanup materials properly.
- Do not hose down surfaces where fluids have spilled. Use dry cleanup methods (absorbent materials, cat litter, and/or rags).
- Sweep up spilled dry materials immediately. Do not try to wash them away with water, or bury them.
- Clean up spills on dirt areas by digging up and properly disposing of contaminated soil.
- Report significant spills immediately. You are required by law to report all significant releases of hazardous materials, including oil. To report a spill: 1) Dial 911 or your local emergency response number, 2) Call the Governor's Office of Emergency Services Warning Center, (800) 852-7550 (24 hours).

Earthmoving



- Schedule grading and excavation work during dry weather.
- Stabilize all denuded areas, install and maintain temporary erosion controls (such as erosion control fabric or bonded fiber matrix) until vegetation is established.
- Remove existing vegetation only when absolutely necessary, and seed or plant vegetation for erosion control on slopes or where construction is not immediately planned.
- Prevent sediment from migrating offsite and protect storm drain inlets, gutters, ditches, and drainage courses by installing and maintaining appropriate BMPs, such as fiber rolls, silt fences, sediment basins, gravel bags, berms, etc.
- Keep excavated soil on site and transfer it to dump trucks on site, not in the streets.

Contaminated Soils

- If any of the following conditions are observed, test for contamination and contact the Regional Water Quality Control Board:
 - Unusual soil conditions, discoloration, or odor
 - Abandoned underground tanks.
 - Abandoned wells
 - Buried barrels, debris, or trash.

Paving/Asphalt Work



- Avoid paving and seal coating in wet weather or when rain is forecast, to prevent materials that have not cured from contacting stormwater runoff.
- Cover storm drain inlets and manholes when applying seal coat, tack coat, slurry seal, fog seal, etc.
- Collect and recycle or appropriately dispose of excess abrasive gravel or sand. Do NOT sweep or wash it into gutters.
- Do not use water to wash down fresh asphalt concrete pavement.

Sawcutting & Asphalt/Concrete Removal

- Protect nearby storm drain inlets when saw cutting. Use filter fabric, catch basin inlet filters, or gravel bags to keep slurry out of the storm drain system.
- Shovel, absorb, or vacuum saw-cut slurry and dispose of all waste as soon as you are finished in one location or at the end of each work day (whichever is sooner!).
- If sawcut slurry enters a catch basin, clean it up immediately.

Concrete, Grout & Mortar Application



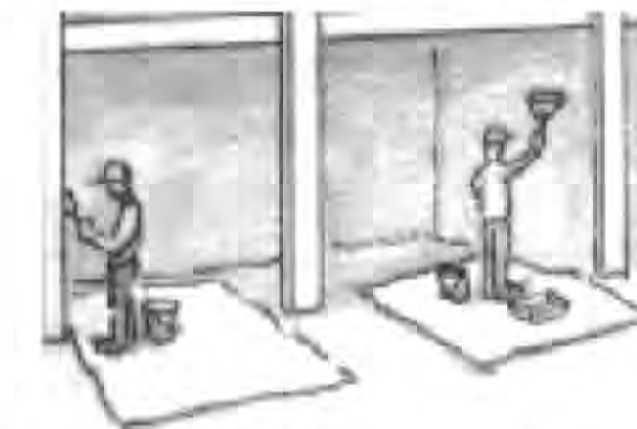
- Store concrete, grout, and mortar away from storm drains or waterways, and on pallets under cover to protect them from rain, runoff, and wind.
- Wash out concrete equipment/trucks offsite or in a designated washout area, where the water will flow into a temporary waste pit, and in a manner that will prevent leaching into the underlying soil or onto surrounding areas. Let concrete harden and dispose of as garbage.
- When washing exposed aggregate, prevent washwater from entering storm drains. Block any inlets and vacuum gutters, hose washwater onto dirt areas, or drain onto a bermed surface to be pumped and disposed of properly.

Landscaping



- Protect stockpiled landscaping materials from wind and rain by storing them under tarps all year-round.
- Stack bagged material on pallets and under cover.
- Discontinue application of any erodible landscape material within 2 days before a forecast rain event or during wet weather.

Painting & Paint Removal



Painting Cleanup and Removal

- Never clean brushes or rinse paint containers into a street, gutter, storm drain, or stream.
- For water-based paints, paint out brushes to the extent possible, and rinse into a drain that goes to the sanitary sewer. Never pour paint down a storm drain.
- For oil-based paints, paint out brushes to the extent possible and clean with thinner or solvent in a proper container. Filter and reuse thinners and solvents. Dispose of excess liquids as hazardous waste.
- Paint chips and dust from non-hazardous dry stripping and sand blasting may be swept up or collected in plastic drop cloths and disposed of as trash.
- Chemical paint stripping residue and chips and dust from marine paints or paints containing lead, mercury, or tributyltin must be disposed of as hazardous waste. Lead based paint removal requires a state-certified contractor.

Dewatering



- Discharges of groundwater or captured runoff from dewatering operations must be properly managed and disposed. When possible send dewatering discharge to landscaped area or sanitary sewer. If discharging to the sanitary sewer call your local wastewater treatment plant.
- Divert run-on water from offsite away from all disturbed areas.
- When dewatering, notify and obtain approval from the local municipality before discharging water to a street gutter or storm drain. Filtration or diversion through a basin, tank, or sediment trap may be required.
- In areas of known or suspected contamination, call your local agency to determine whether the ground water must be tested. Pumped groundwater may need to be collected and hauled off-site for treatment and proper disposal.

Storm drain polluters may be liable for fines of up to \$10,000 per day!

DATE:

REVISIONS:



Date: **05/21/2024**

Scale: **NONE**

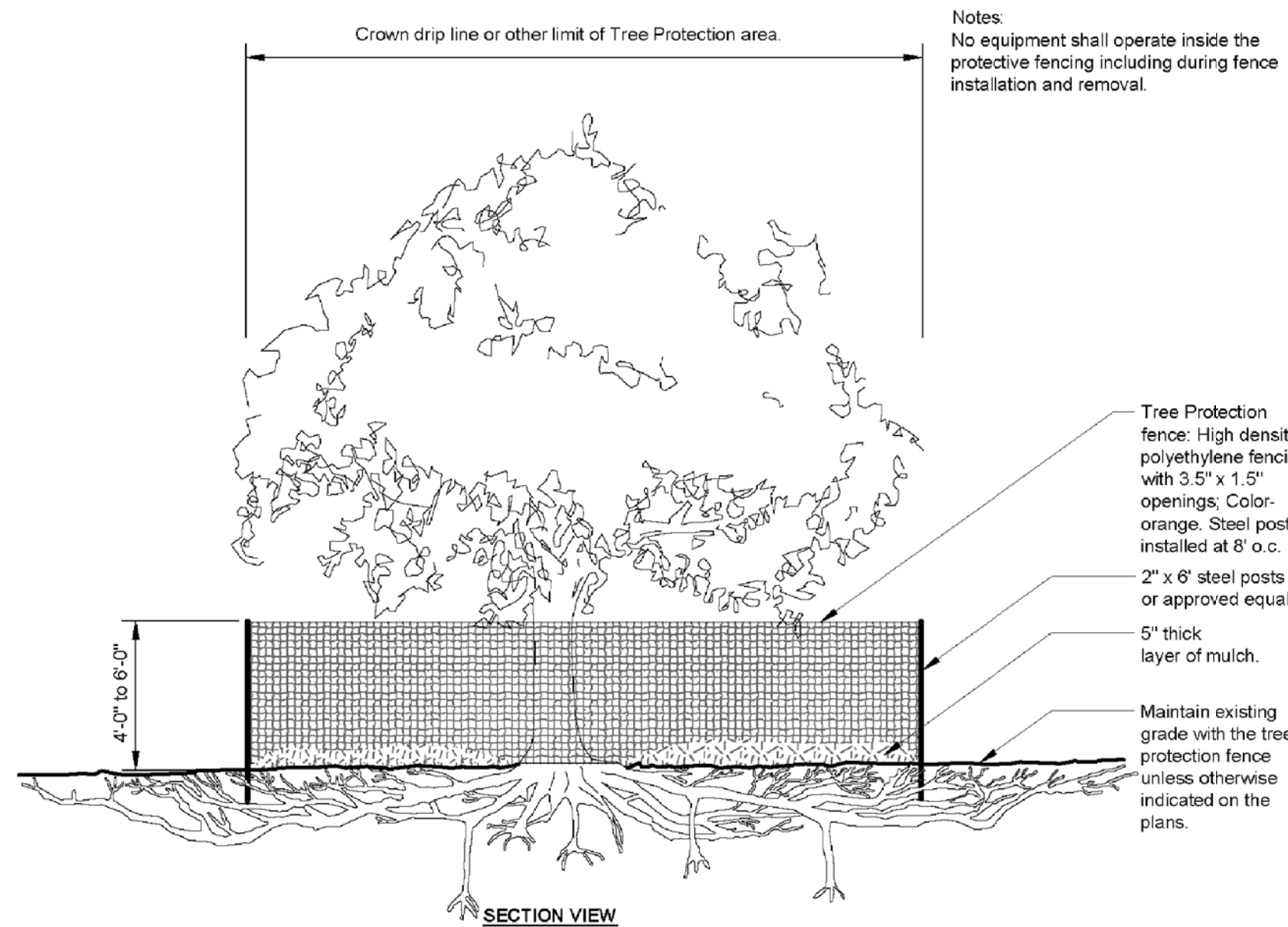
Design: **AJP**

Check: **TRL**

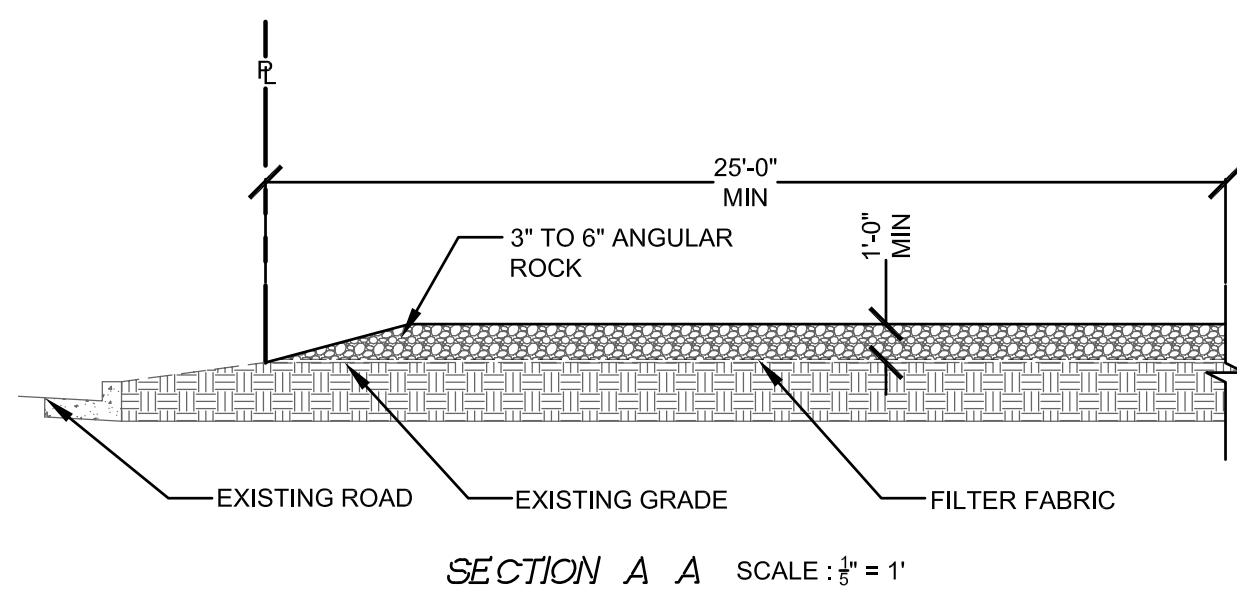
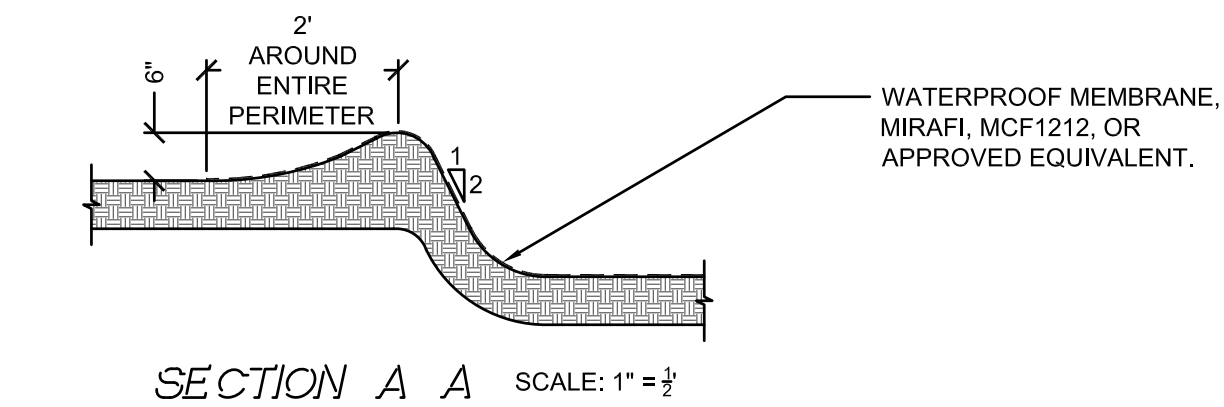
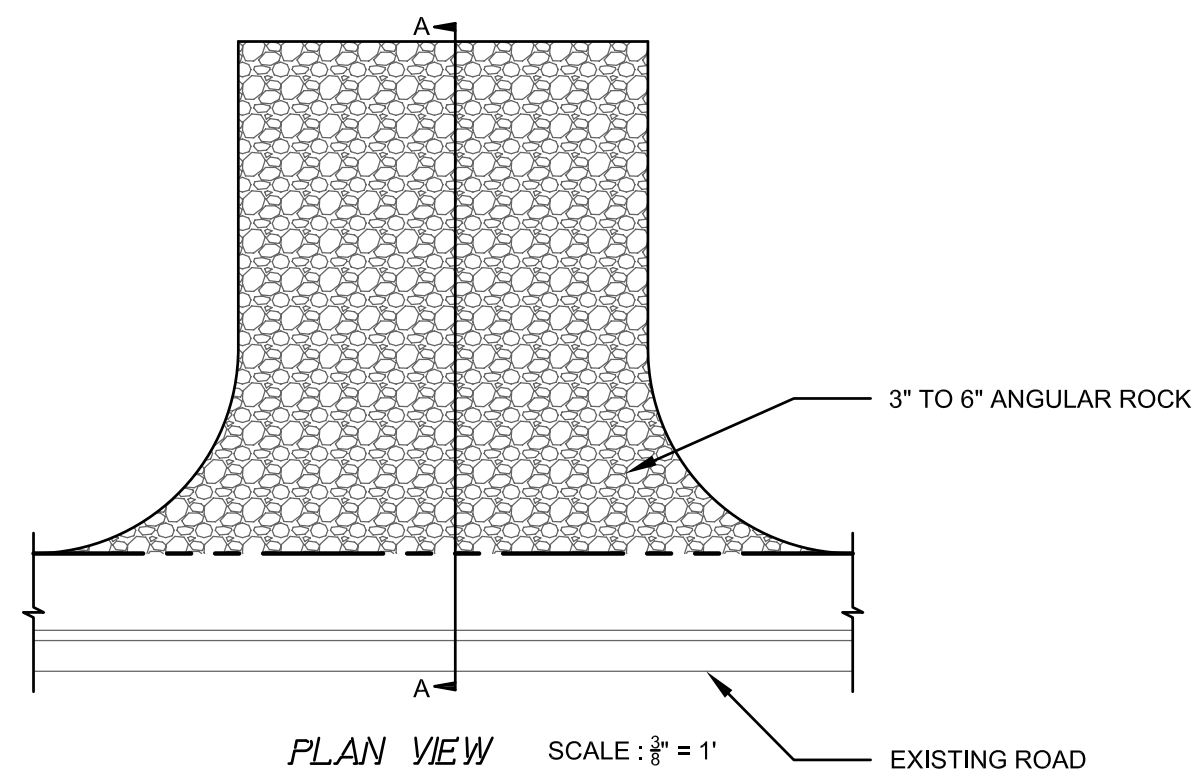
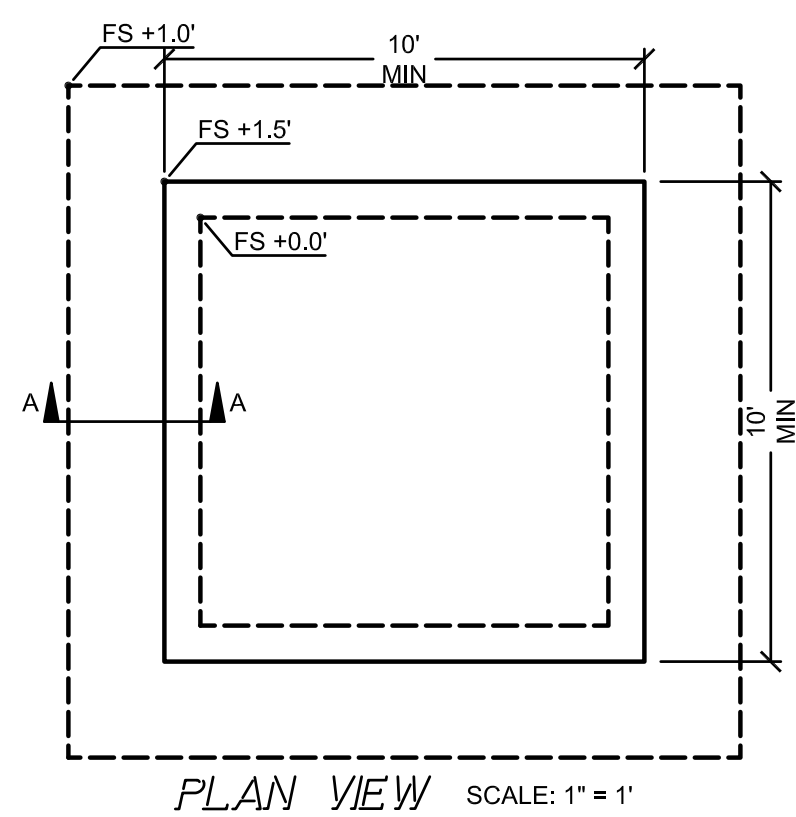
Drawing Number:

C-3.1

PEC Job No.
PEC 24-034



14 TREE PROTECTION



- NOTES:
1. LOCATE AWAY FROM STORM DRAIN INLETS, DRAINAGE FACILITIES, OR WATERCOURSES. DO NOT DISCHARGE WASH WATER TO STORM DRAINS OR WATERCOURSES.
 2. BERM UP EDGES AS SHOWN IN SECTION A-A TO CONTAIN WASH WATERS AND TO PREVENT RUNON AND RUNOFF.
 3. IF WASH WATER REACHES WITHIN 3" OF THE TOP OF BERM, CONTRACTOR SHALL UTILIZE SUMP PUMP AND DESILTING BASIN TO REMOVE SEDIMENT LADEN WASH WATER.

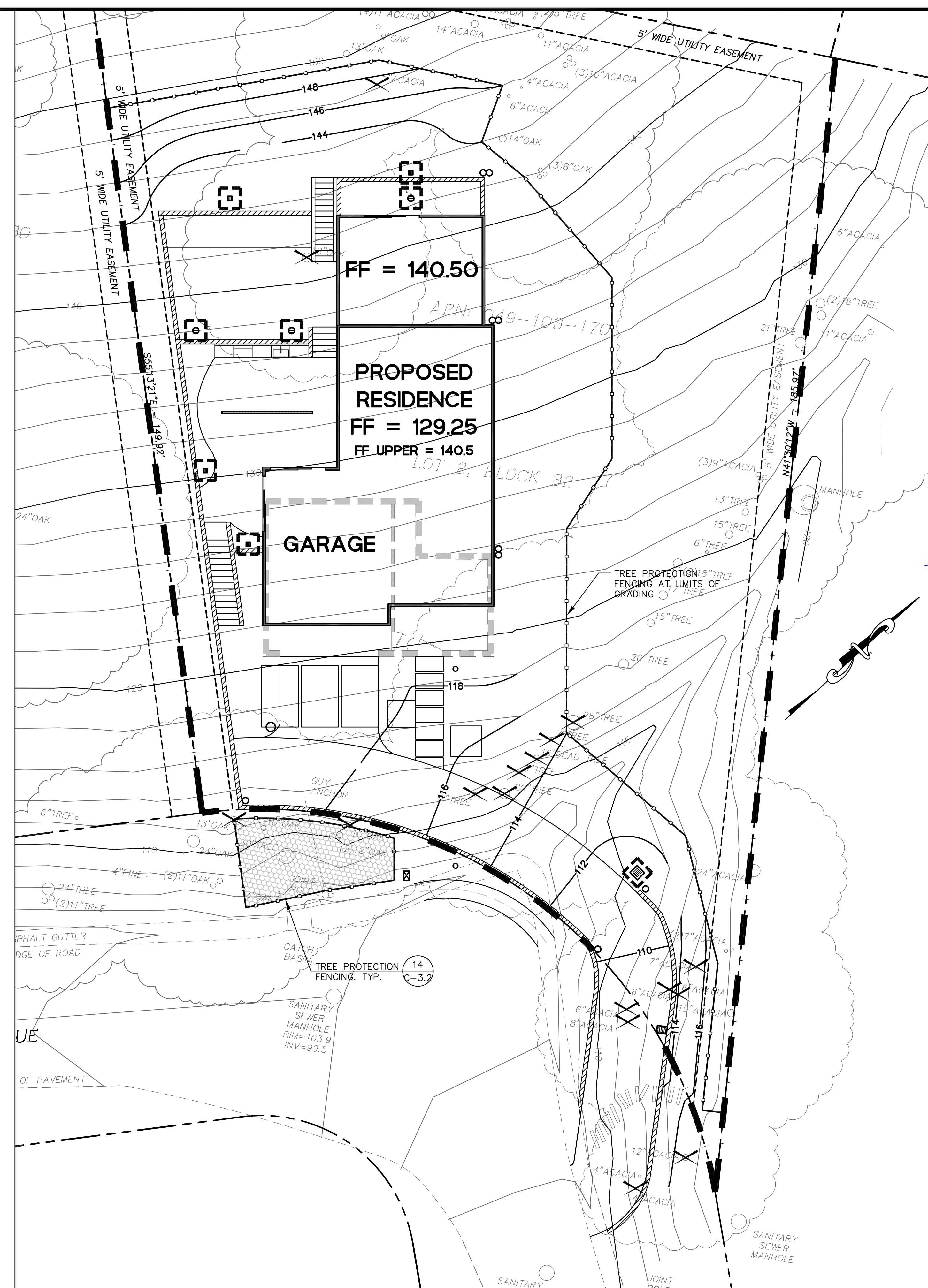
16 TEMPORARY WASHOUT PIT

SCALE: AS SHOWN WASHOUT PIT-024-MSTR

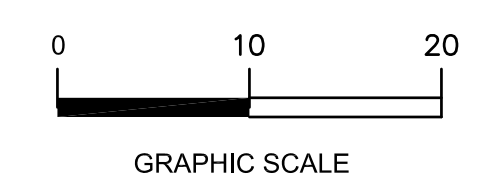
- NOTES:
1. PROVIDE A FANNED STABILIZED CONSTRUCTION ENTRANCE TO ACCOMMODATE THE TURNING RADIUS OF CONSTRUCTION EQUIPMENT ON AND OFF THE PUBLIC STREET.

12 GRAVEL CONSTRUCTION ENTRANCE

SCALE: AS SHOWN TEMP GRAV CONST ENT-060-MSTR

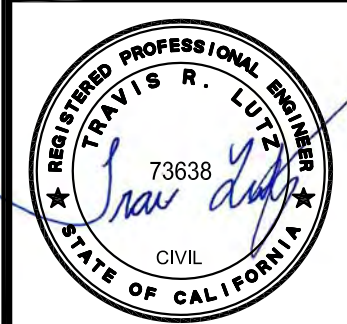


SEE SHEET C-0 FOR LEGEND AND SHEET C-1 FOR NOTES



DATE: _____

REVISIONS:



DATE: 05/21/2024

SCALE: 1" = 10'

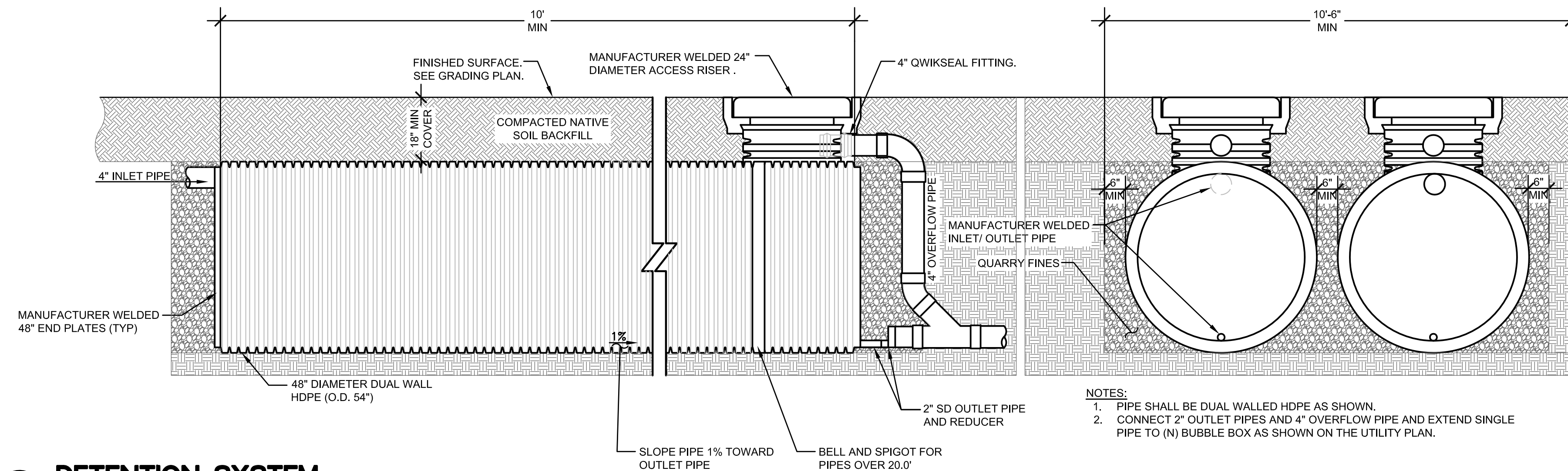
DESIGN: AJP

CHECK: TRL

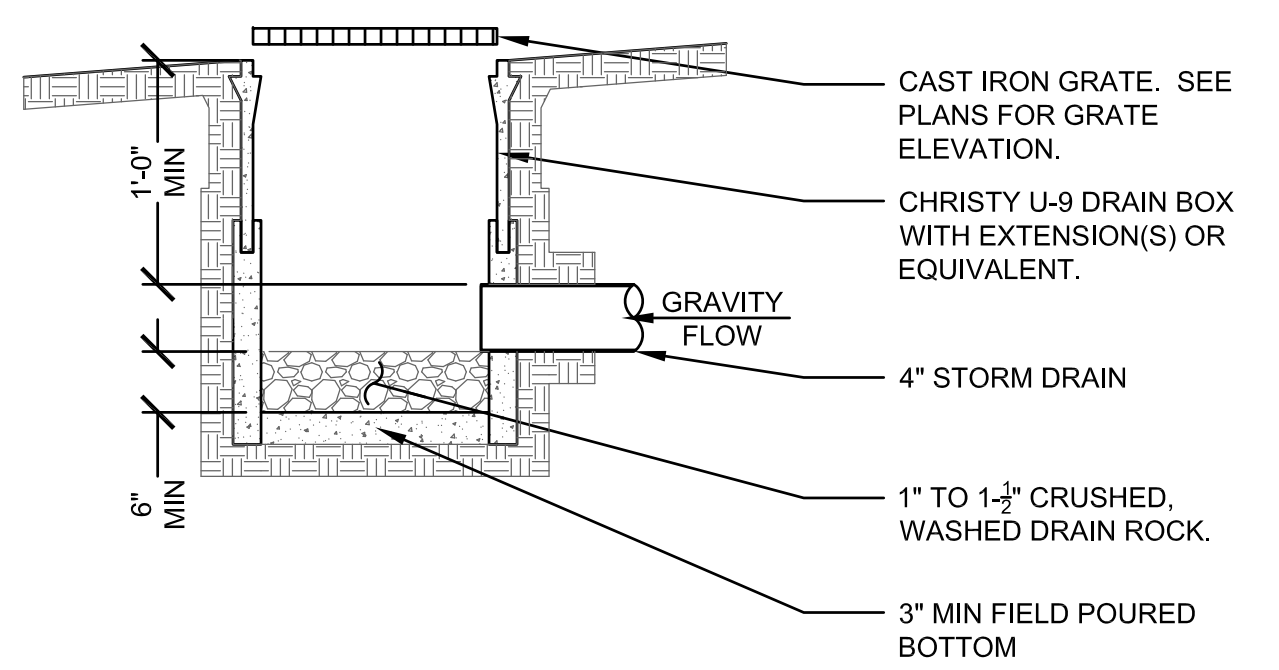
DRAWING NUMBER: C-3.2

PEC Job No. PEC 24-034

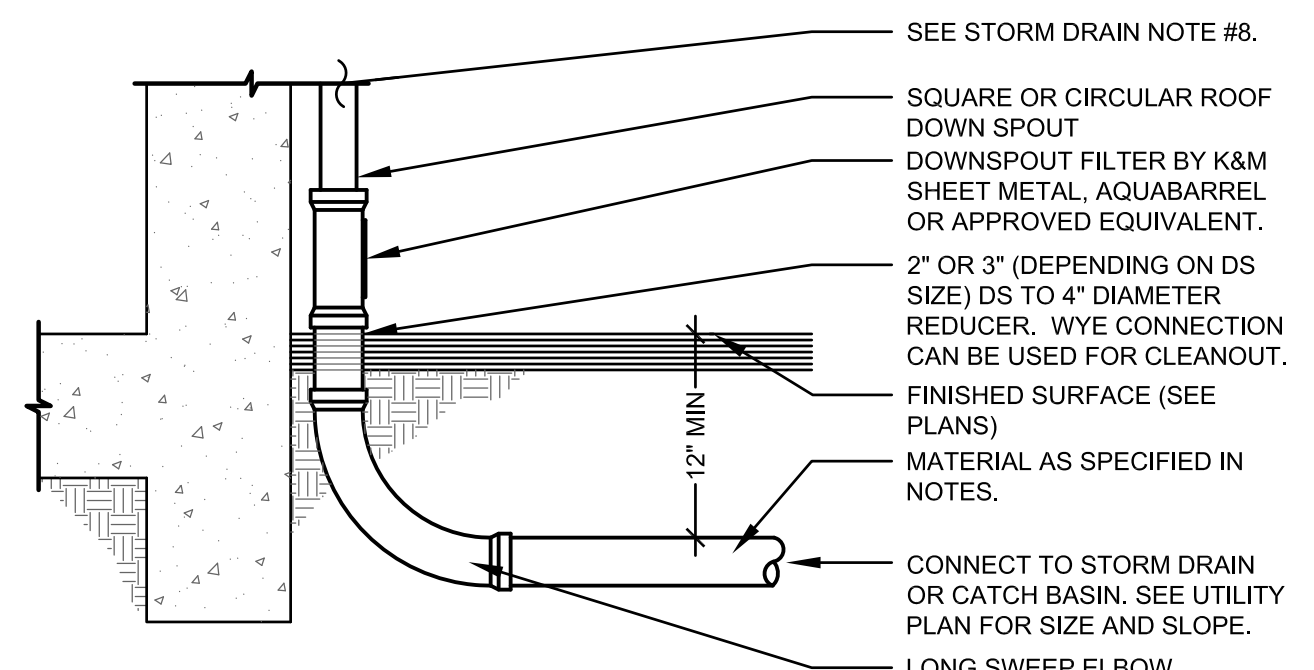
TREE PROTECTION PLAN
NEW RESIDENCE
108 DOLTON AVENUE
SAN CARLOS (SMCO), CA 94070



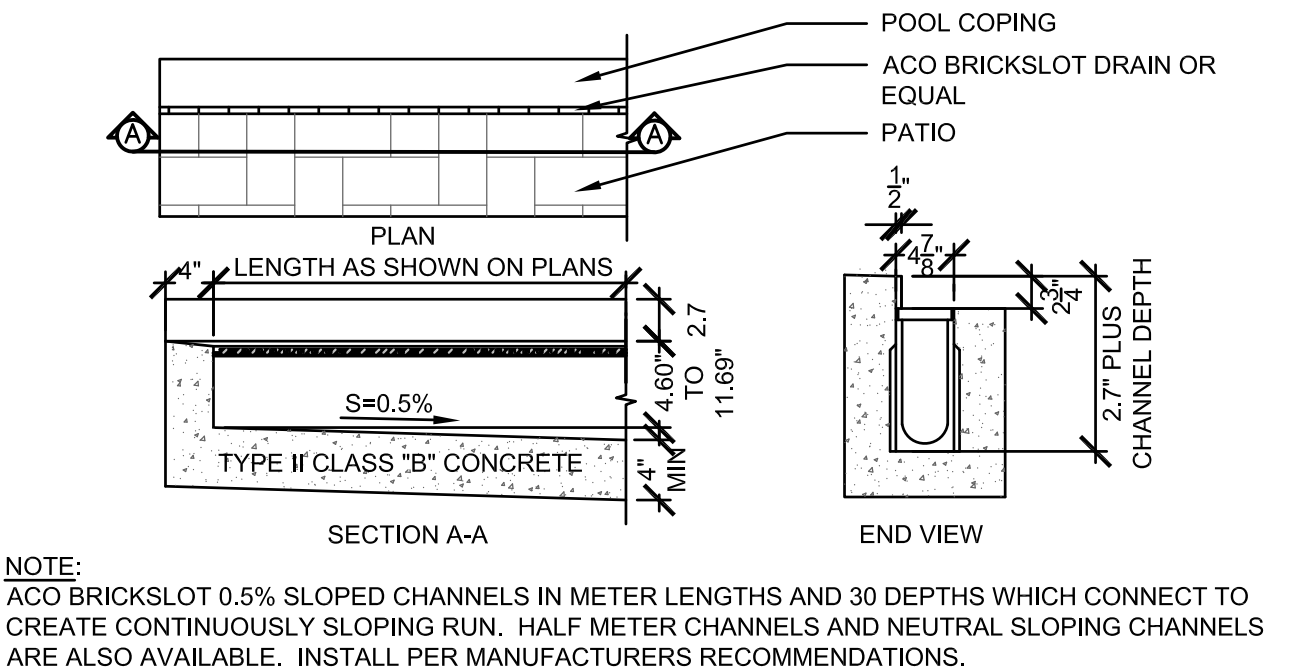
13 DETENTION SYSTEM
SCALE: NO SCALE
DETENTION DOUBLE-024-MSTR



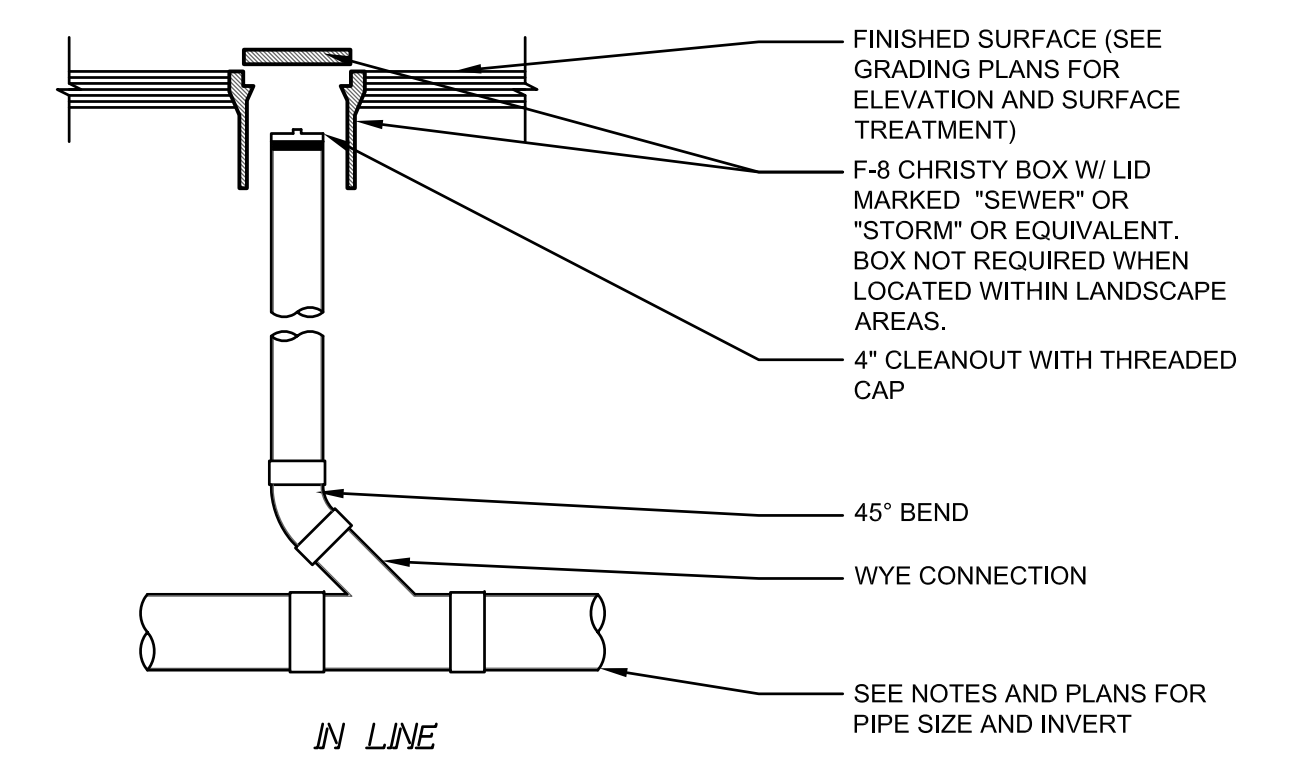
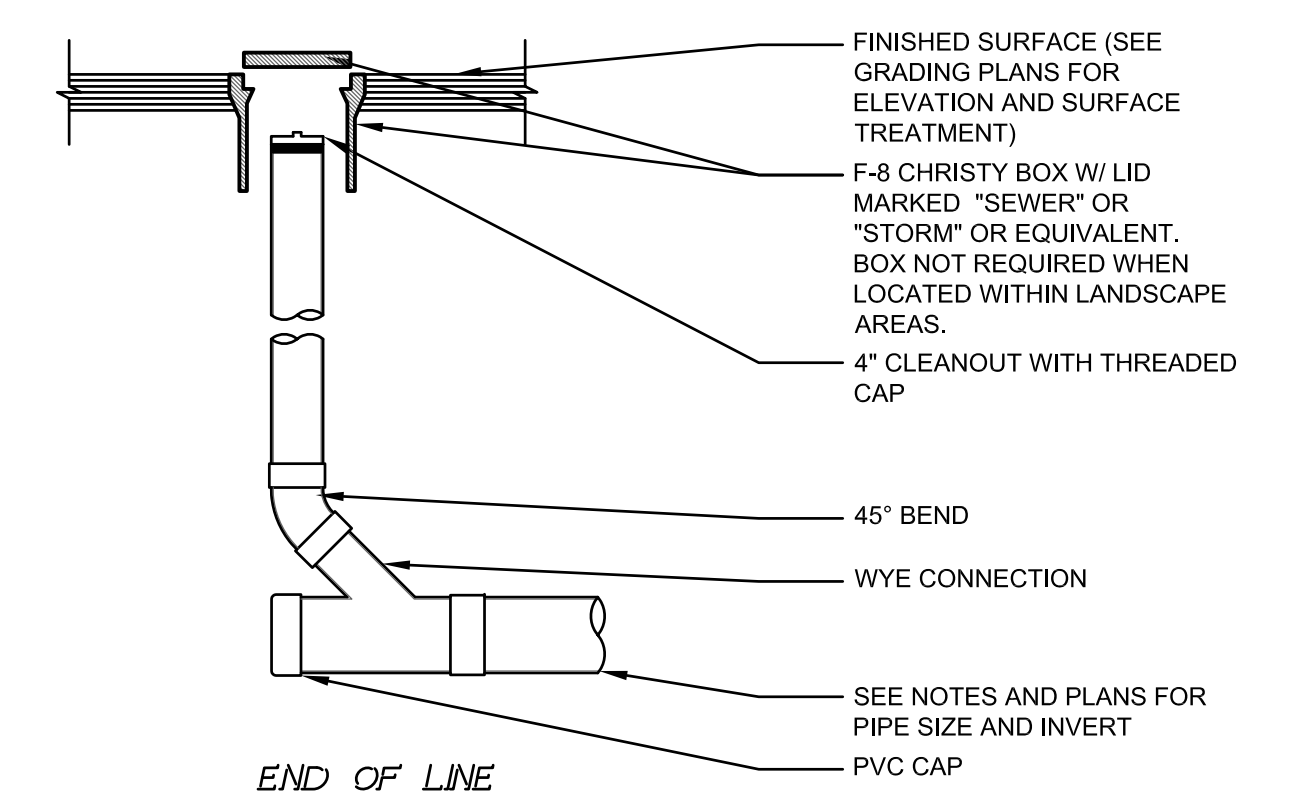
14 BUBBLE BOX - CLOSED BOTTOM
SCALE: 1/4"=1'-0"
BUBBLE BOX-012-MSTR



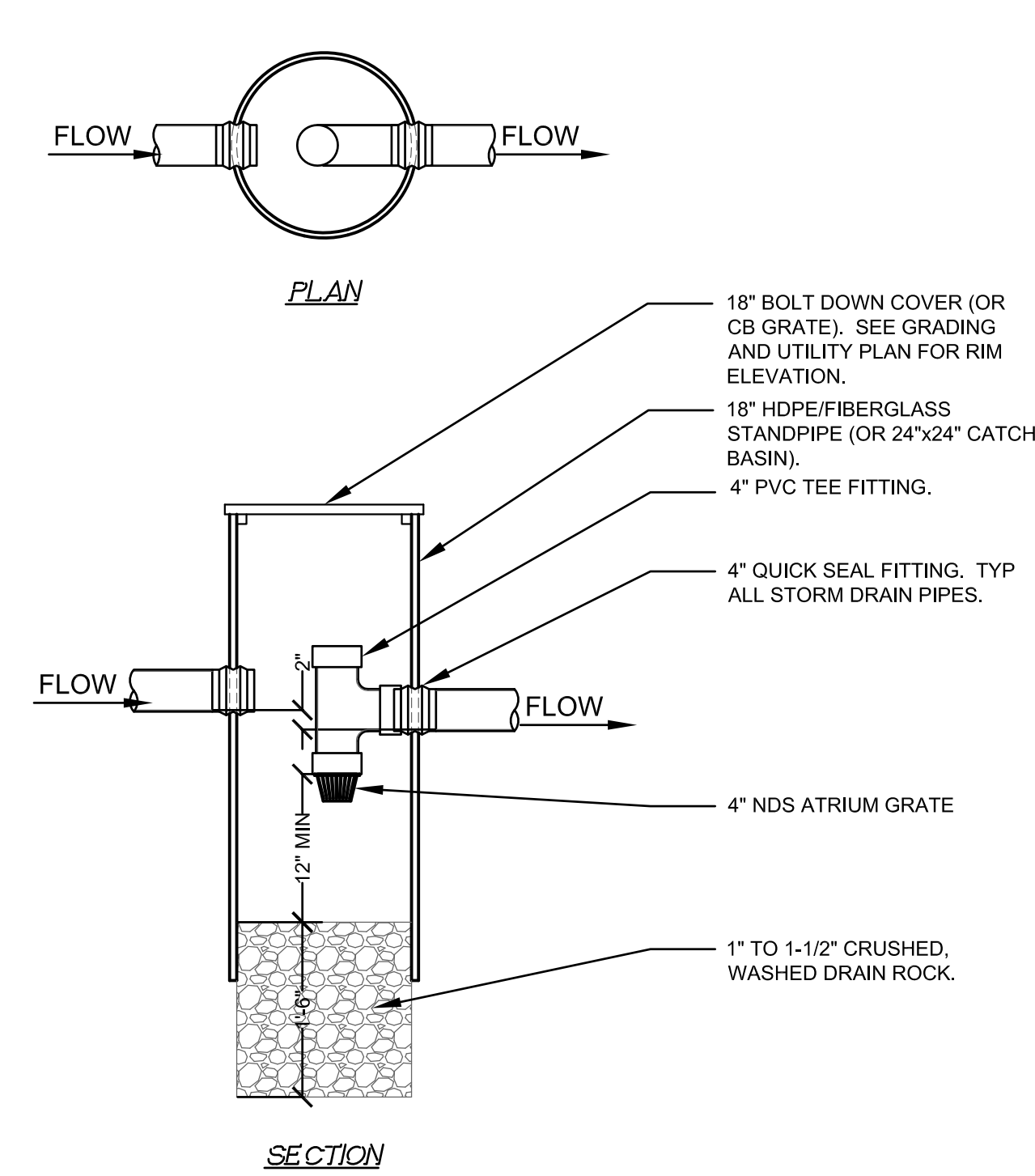
10 DOWNSPOUT CONNECTION
SCALE: 3/4"=1'-0"
DS CONNECT-016-MSTR



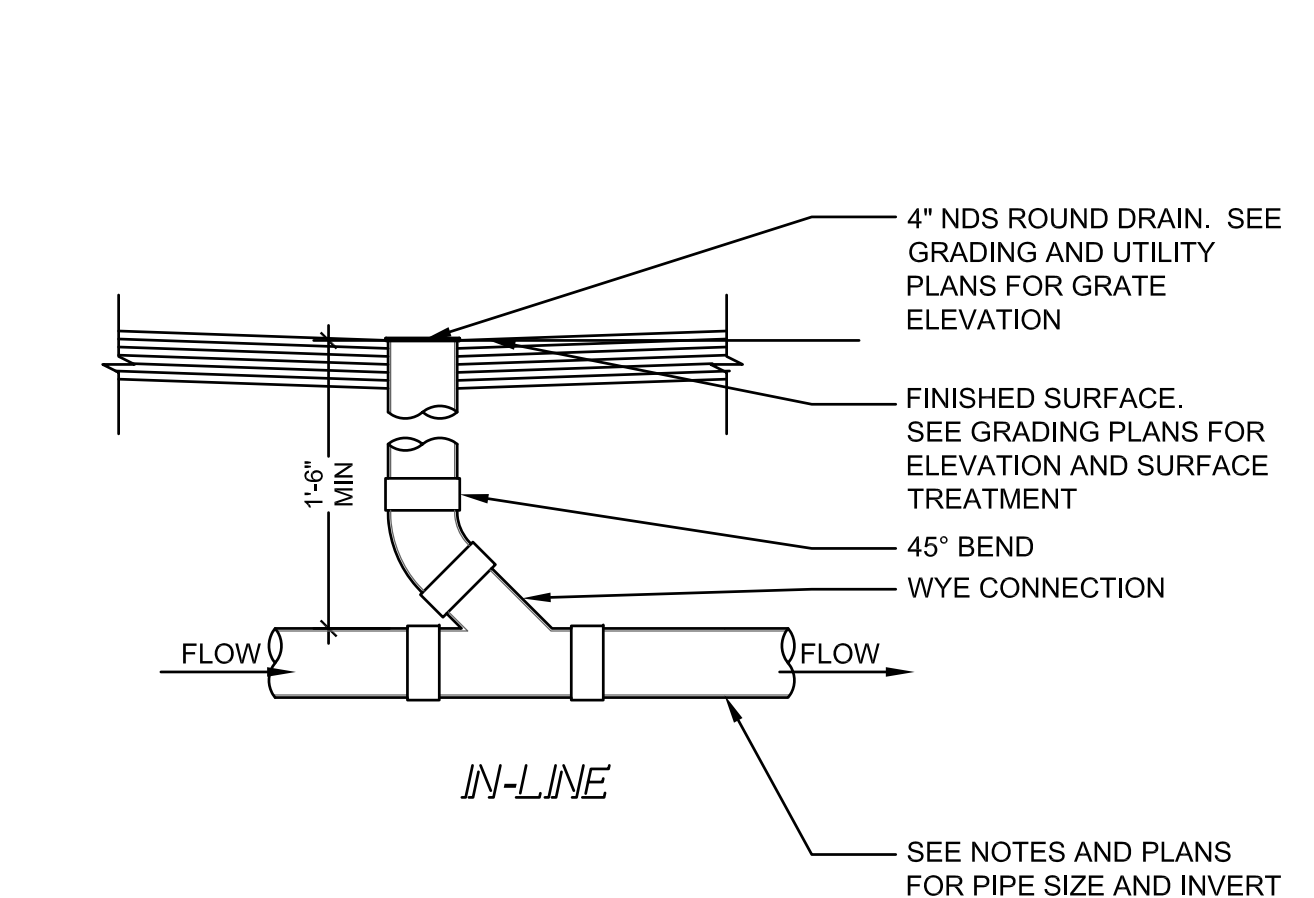
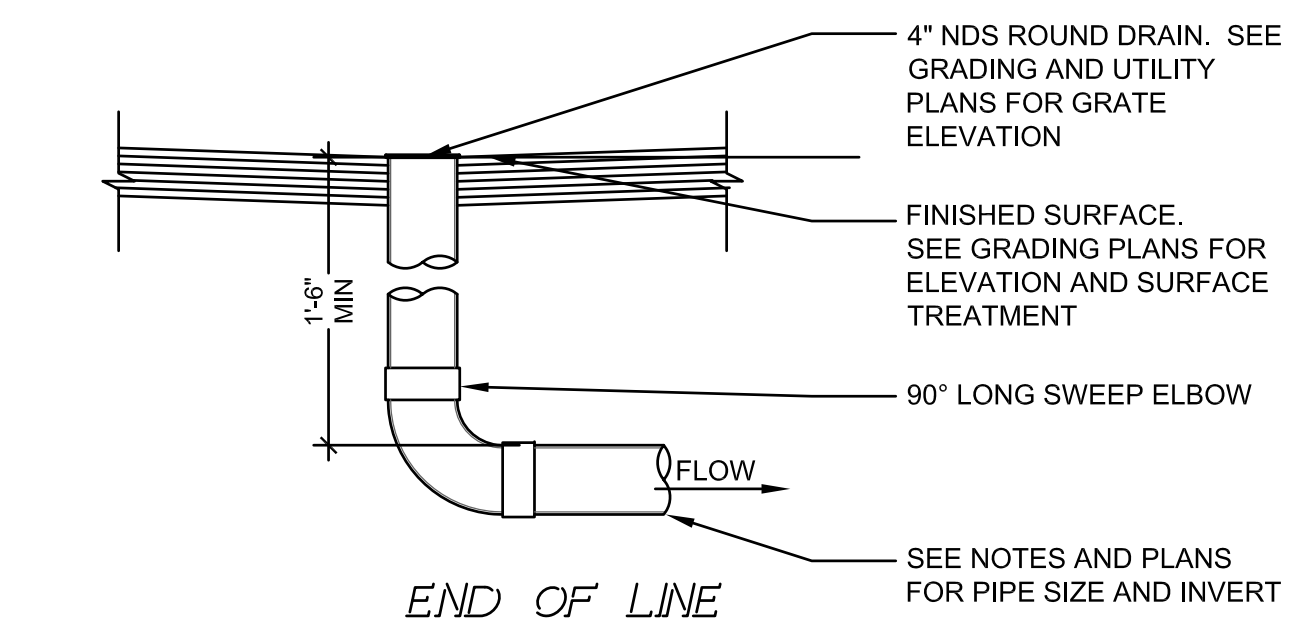
6 ACO BRICKSLOT TRENCH DRAIN
SCALE: 3/4"=1'-0"
BRICKSLOT TRENCH DRAIN-016-MSTR



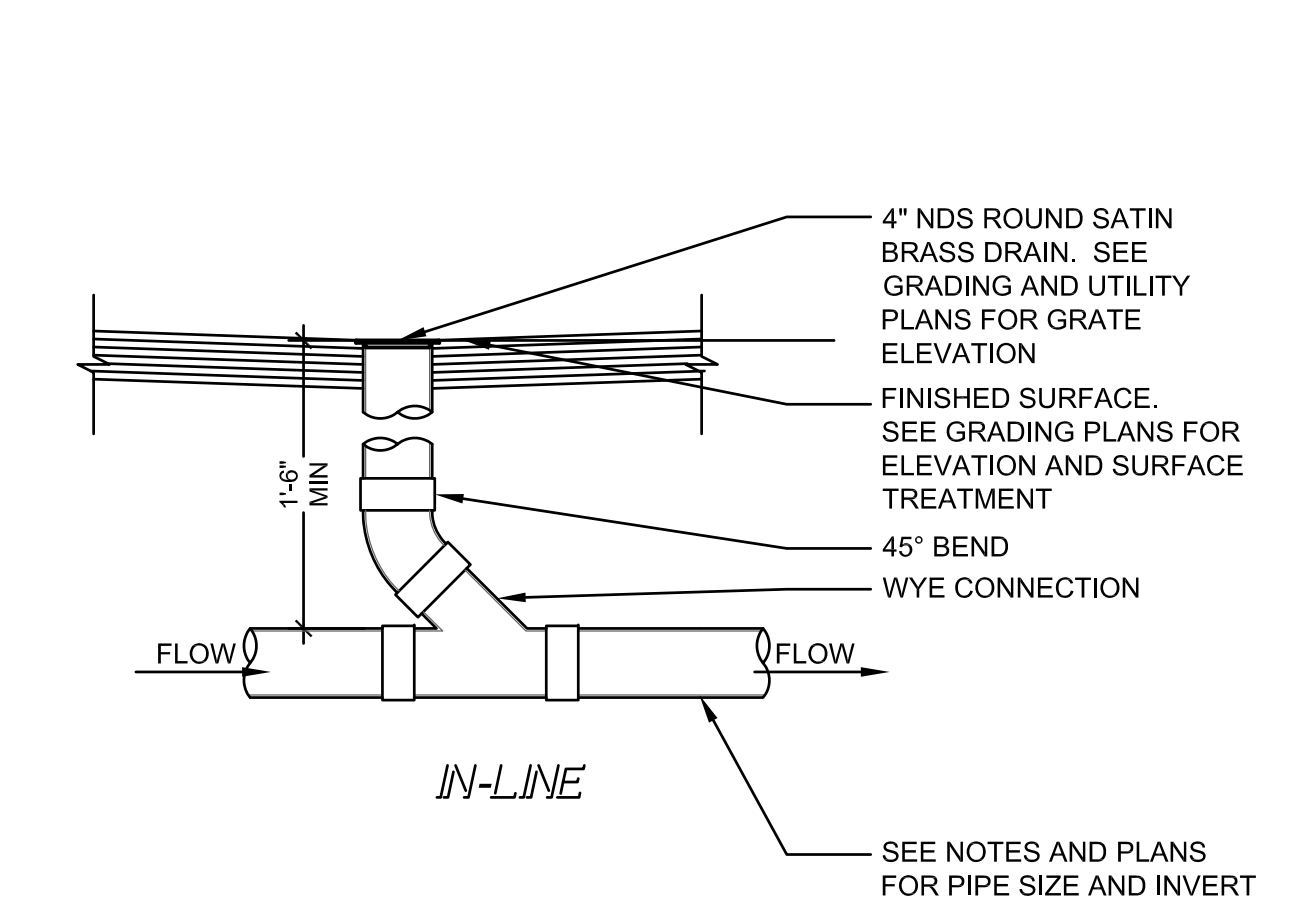
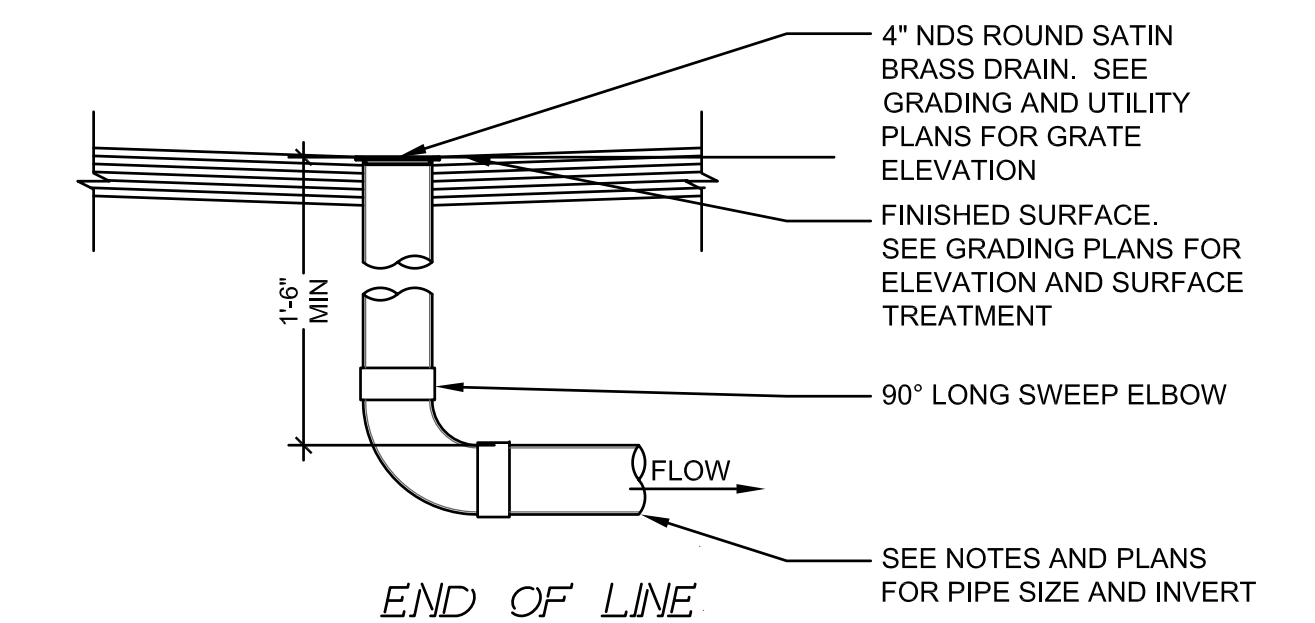
2 CLEANOUT NON-TRAFFIC RATED
SCALE: 3/4"=1'-0"
CLEANOUT RES-016-MSTR



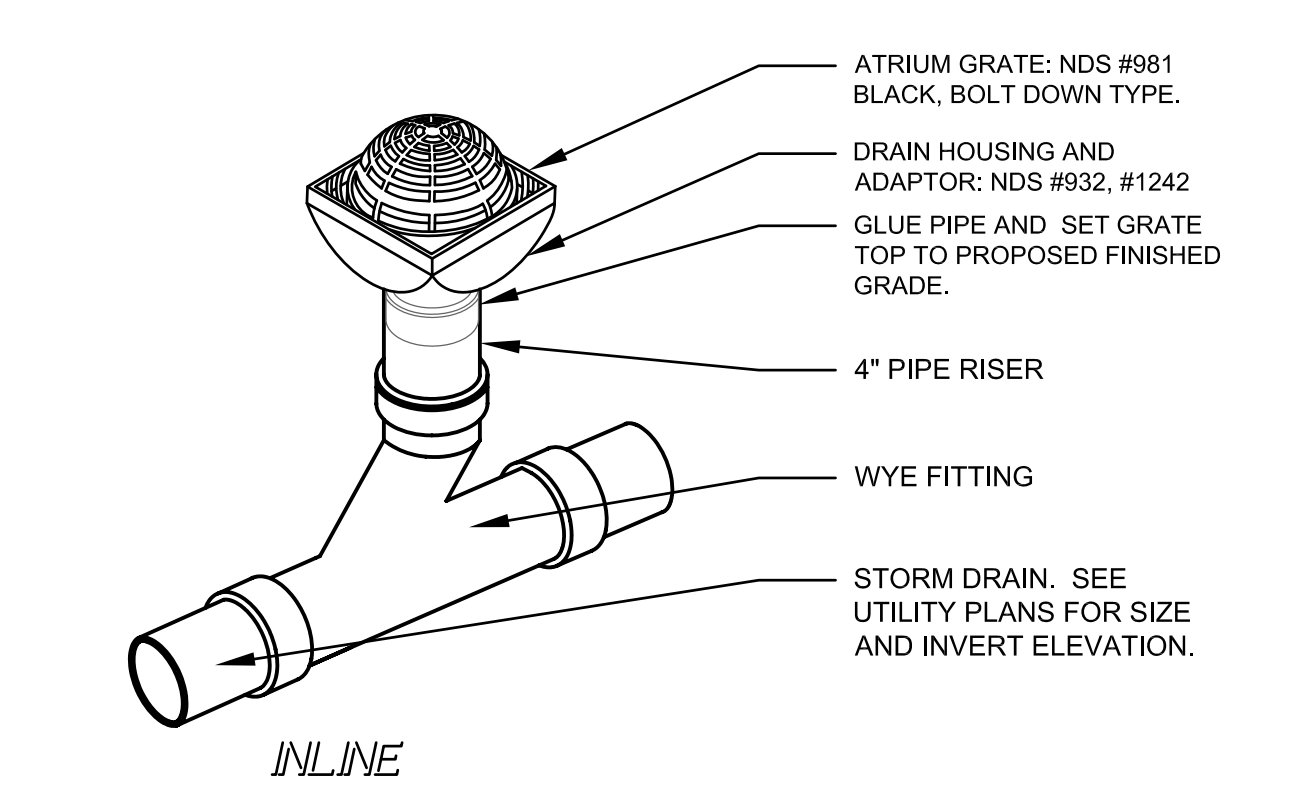
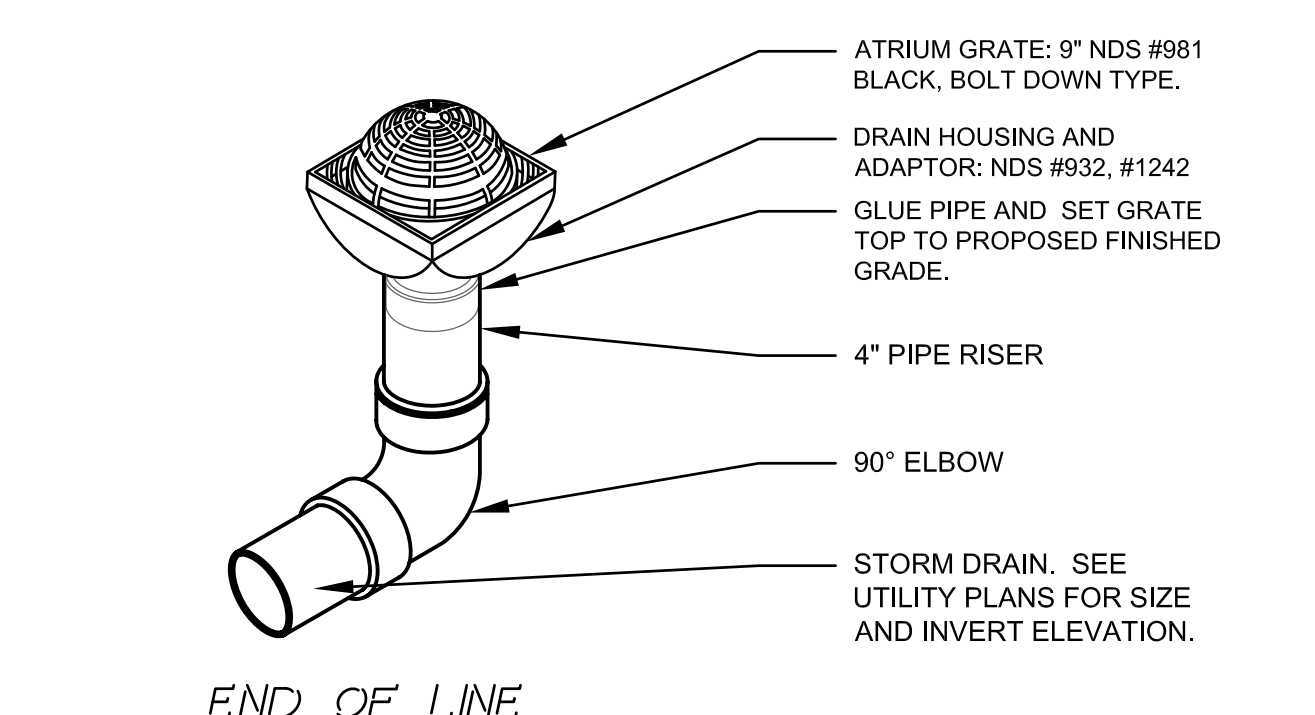
16 SEDIMENT BASIN
SCALE: 3/4"=1'-0"
SED BASIN-016-MSTR



12 LANDSCAPE DRAIN - FLAT
SCALE: 1"=1'-0"
LAND DRAIN FLAT-012-MSTR



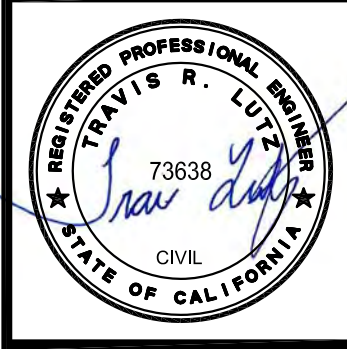
8 DECK DRAIN
SCALE: 1"=1'-0"
DECK DRAIN D12-MSTR



4 SQUARE ATRIUM DRAIN
SCALE: 1"=1'-0"
SQUARE ATRIUM DRAIN-012-MSTR

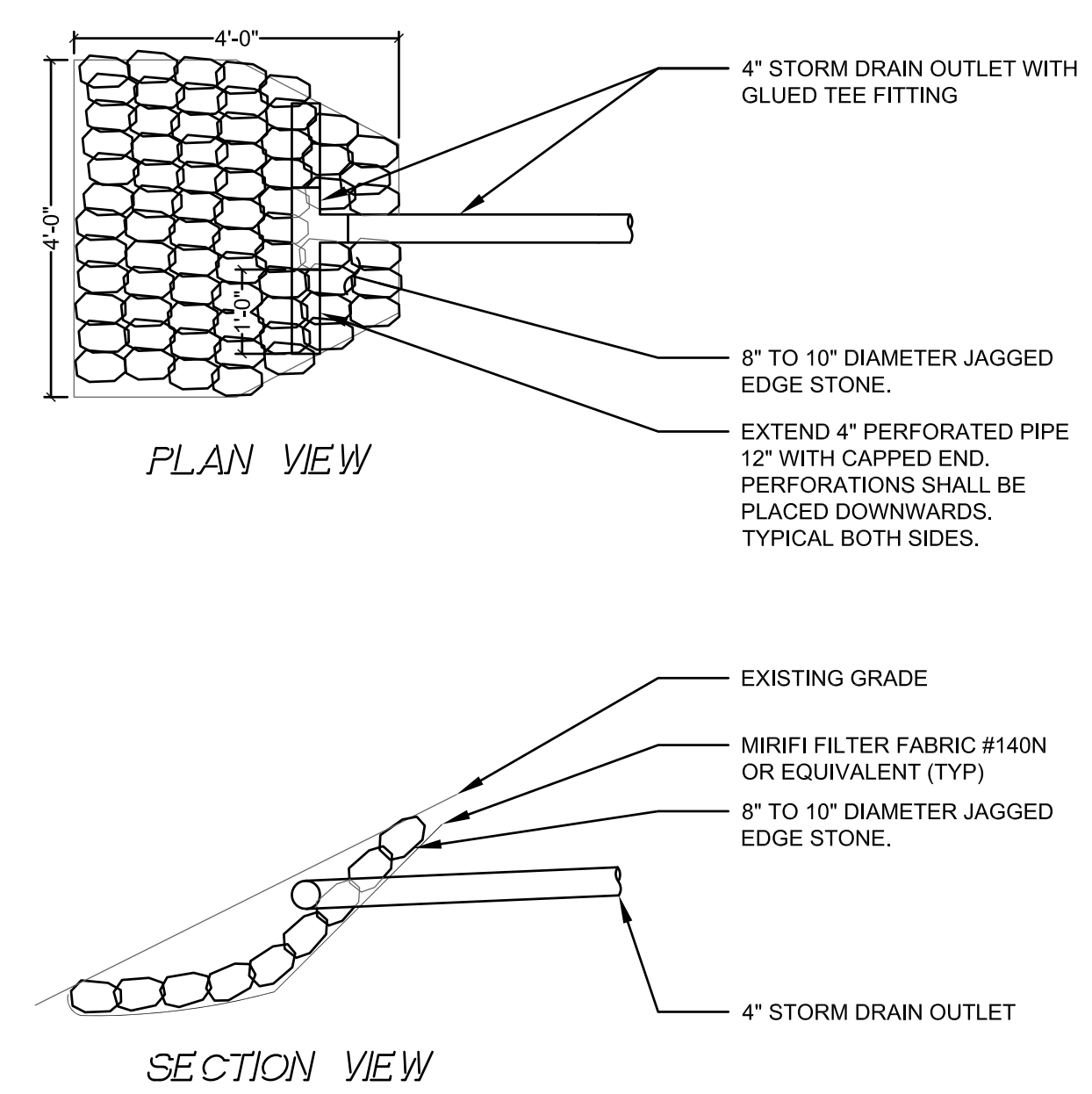
DATE: _____

REVISIONS:

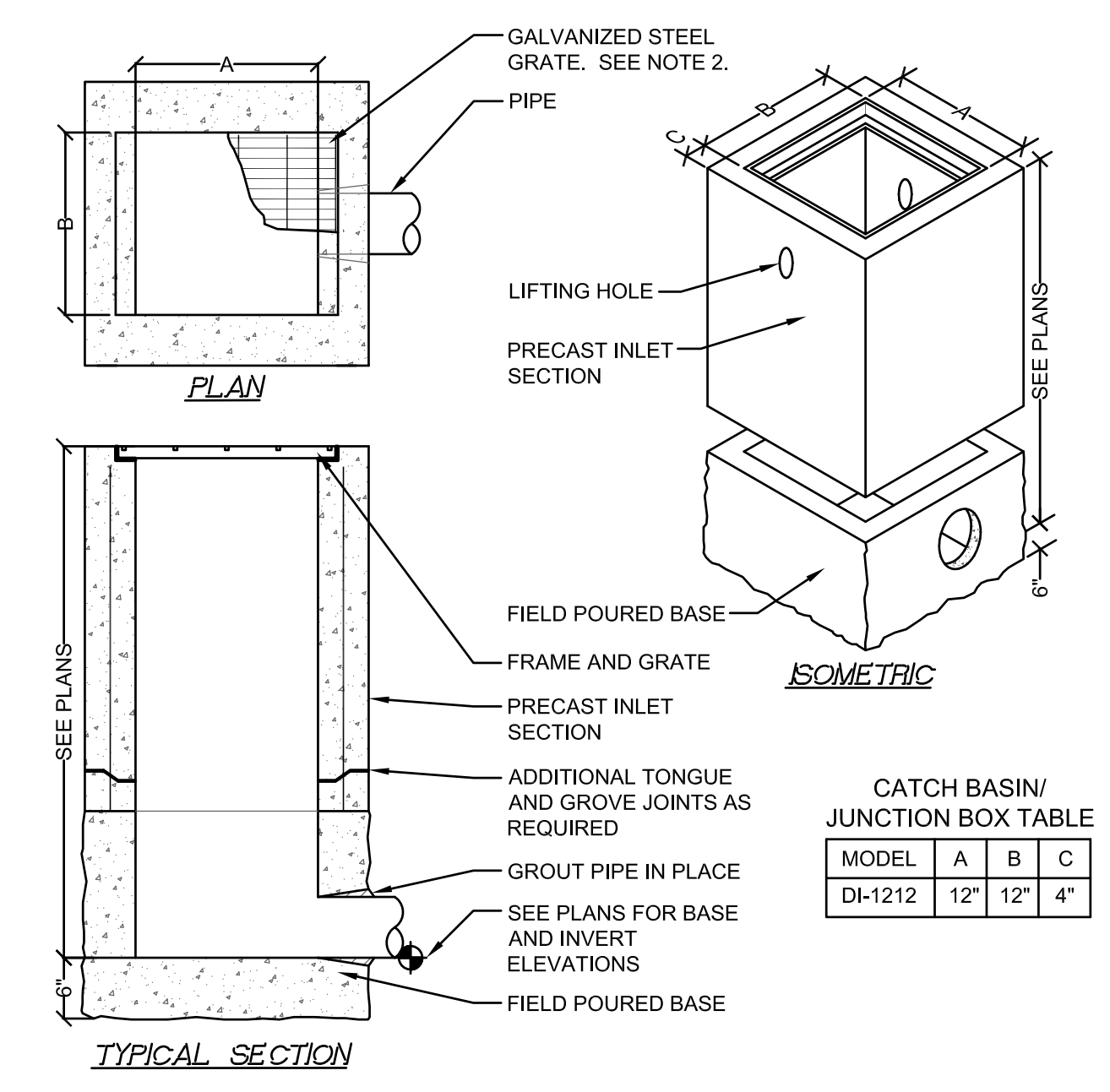


© 2024 Precision Engineering and Construction, Inc. All rights reserved. This drawing is the property of Precision Engineering and Construction, Inc. and is not to be reproduced without written permission.

© 2024 Precision Engineering and Construction, Inc. All rights reserved. This drawing is the property of Precision Engineering and Construction, Inc. and is not to be reproduced without written permission.

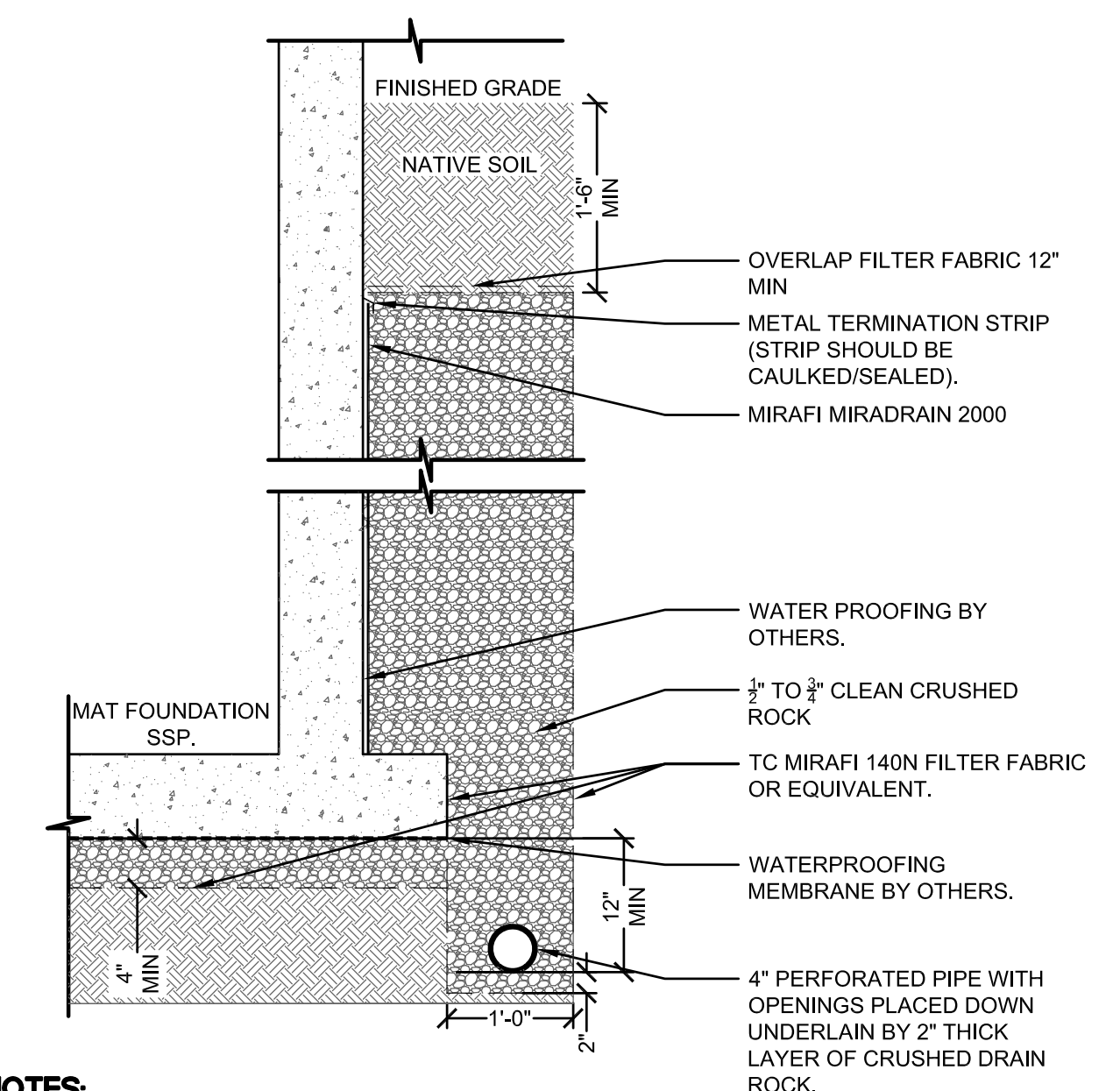


6 STORM DRAIN DISSIPATOR
 SCALE: 3/8"=1'-0"
 SD DISS-024-MSTR



NOTES:
 1. INLET AND GRATE SHALL BE OLDCASTLE PRECAST DROP INLET, OR EQUIVALENT.
 2. FRAMES AND GRATES SHALL BE HEAVY DUTY, DESIGNED FOR H20 HIGHWAY LOADING. GRATE TO BE BICYCLE PROOF.

2 CATCH BASIN
 SCALE: NO SCALE
 CATCH BASIN-016-MSTR



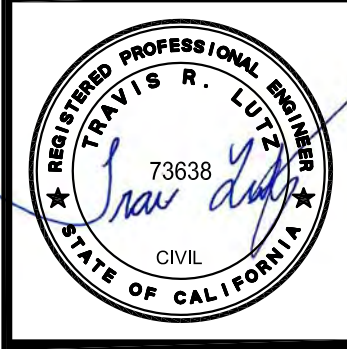
NOTES:
 1. PROVIDE A MINIMUM SLOPE OF 1% ON SUB-DRAIN PIPE. SEE PLANS FOR CLEANOUT LOCATIONS AND INVERT ELEVATIONS.
 2. SEE GEOTECHNICAL REPORT FOR ALL COMPACTION RECOMMENDATIONS. GEOTECHNICAL ENGINEER SHALL INSPECT AND APPROVE THE FINAL INSTALLATION OF THE SUB-DRAIN SYSTEM.
 3. SEE STRUCTURAL PLANS FOR BASEMENT MAT SLAB, FOOTING AND FOUNDATION DESIGN.

4 SUB-DRAIN
 SCALE: 3/4"=1'-0"
 SUB-DRAIN-016-MSTR

DATE: _____

REVISIONS:

NO.	DESCRIPTION



DETAIL SHEET
NEW RESIDENCE
108 DOLTON AVENUE
SAN CARLOS (SMCO), CA 94070

Date: 05/21/2024

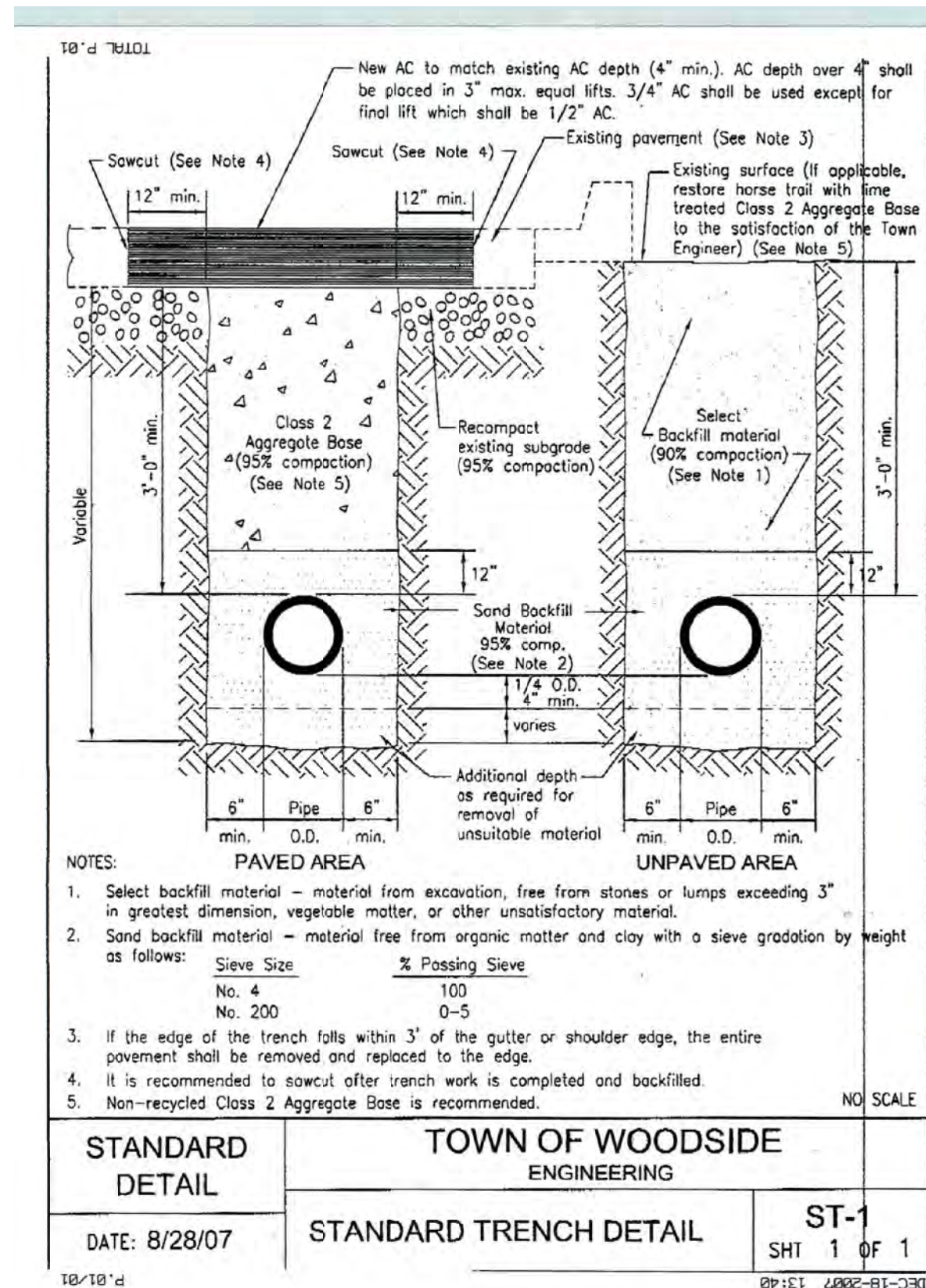
Scale: AS SHOWN

Design: AJP

Check: TRL

Drawing Number: C-4.1

PEC Job No. PEC 24-034



SAN MATEO COUNTY DEPARTMENT OF PUBLIC WORKS

SCALE: NONE DATE: 6/95 REVISED:

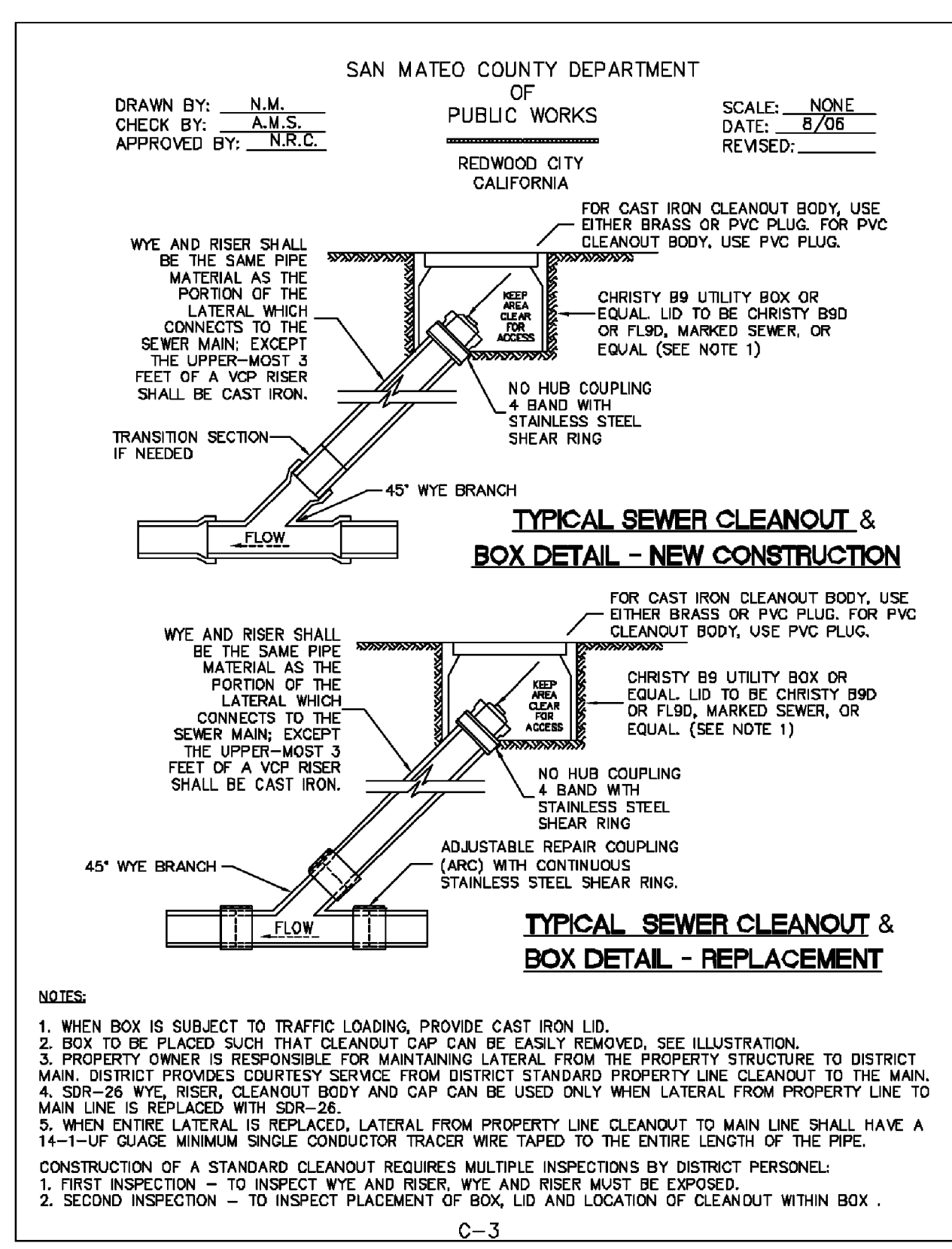
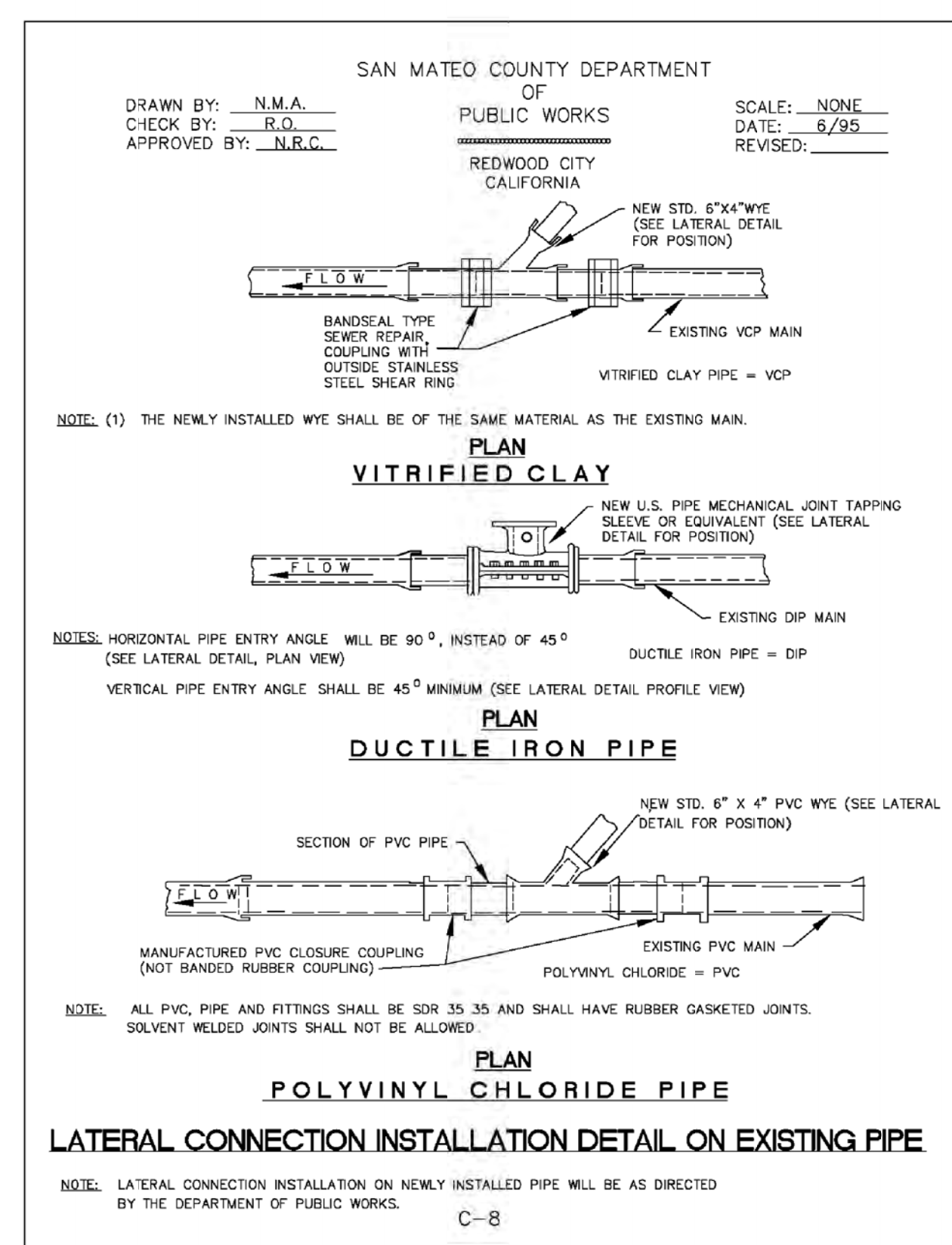
REDWOOD CITY CALIFORNIA

SAN MATEO COUNTY SEWER AND SANITATION DISTRICTS STANDARD SPECIFICATIONS

GENERAL NOTES

- ALL REFERENCES TO "DISTRICT" IN THESE GENERAL NOTES SHALL MEAN THE APPROPRIATE COUNTY SEWER OR SANITATION DISTRICT.
- THE APPROVAL OF THESE PLANS BY THE DISTRICT SHALL BE INTERPRETED TO MEAN THAT THE SANITARY SEWER DESIGN SHOWN ON THESE PLANS MEETS THE DISTRICT'S STANDARDS. THE DISTRICT'S APPROVAL IN NO WAY GUARANTEES ANY OTHER ASPECT OF THIS PLAN OR ITS ACCURACY RELATIVE TO ACTUAL FIELD CONDITIONS.
- THE CONTRACTOR SHALL CONTACT THE DISTRICT AT 363-4765 OR 363-4100 TWO (2) WORKING DAYS IN ADVANCE OF BEGINNING ANY SANITARY SEWER WORK. THE CONTRACTOR SHALL THEREAFTER KEEP THE INSPECTOR FOR THE DISTRICT INFORMED OF HIS SCHEDULE FOR SANITARY SEWER WORK.
- ALL SANITARY SEWER WORK CONSTRUCTED WITHOUT INSPECTION BY THE DISTRICT SHALL BE REMOVED AND RECONSTRUCTED WITH INSPECTION.
- THE CONTRACTOR SHALL CONTACT UNDERGROUND SERVICE ALERT FORTY-EIGHT (48) HOURS IN ADVANCE OF BEGINNING ANY WORK.
- THE CONTRACTOR SHALL FIELD VERIFY THE LOCATION OF ALL UTILITIES BEFORE BEGINNING ANY EXCAVATING.
- THE CONTRACTOR SHALL OBTAIN ANY AND ALL PERMITS REQUIRED BY THE COUNTY OR CITY BEFORE BEGINNING ANY SANITARY SEWER WORK.
- UPON THE COMPLETION OF CONSTRUCTION A COMPLETE SET OF REPRODUCIBLE "AS-CONSTRUCTED" PLANS SHALL BE PROVIDED TO THE DISTRICT.
- SANITARY SEWER SERVICE SHALL BE MAINTAINED AT ALL TIMES. THE CONTRACTOR SHALL USE WHATEVER MEANS ARE NECESSARY (E.G. PUMPS, ETC.) TO MAINTAIN THIS SERVICE DURING CONSTRUCTION.
- PRIOR TO COMMENCING ANY SANITARY SEWER WORK IN OFF-SITE EASEMENTS THE CONTRACTOR SHALL PROVIDE THE DISTRICT WITH ADEQUATE EVIDENCE THAT ALL AFFECTED PROPERTY OWNERS (AND TENANTS WHERE APPLICABLE) WERE NOTIFIED WELL IN ADVANCE OF THE DATE WORK IN THESE EASEMENTS WAS TO BEGIN AND THAT THEY HAD UPDATED THAT NOTICE IN A TIMELY MANNER WHEN THOSE DATES HAVE CHANGED.

C-13



SAN MATEO COUNTY DEPARTMENT OF PUBLIC WORKS

SCALE: NONE DATE: 6/95 REVISED: 4/87

REDWOOD CITY CALIFORNIA

SAN MATEO COUNTY SEWER AND SANITATION DISTRICTS STANDARD SPECIFICATIONS

PIPE AND FITTINGS

POLYVINYL CHLORIDE PIPE (PVC)

- ALL PIPE AND FITTINGS SHALL CONFORM TO ASTM SPECIFICATIONS D3034, SDR 35.
- ALL JOINTS SHALL BE A BELL AND SPIGOT ASSEMBLY WITH ELASTOMERIC SEALING GASKETS. SEALING GASKETS SHALL MEET THE REQUIREMENTS OF ASTM SPECIFICATION D1889. SOLVENT CEMENT JOINTS ARE NOT PERMITTED.
- ALL PIPE ENTERING OR LEAVING A CONCRETE STRUCTURE SHALL HAVE A RUBBER WATERSTOP GASKET ATTACHED TO IT. THE WATERSTOP GASKET SHALL CONFORM TO THE PIPE MANUFACTURER'S SPECIFICATIONS. THE WATERSTOP GASKET SHALL BE SEALED FIRMLY AROUND THE PIPE EXTERIOR AND BE CAST INTO THE CONCRETE STRUCTURE.
- ALL PIPE JOINTS SHALL BE MADE USING MANUFACTURED PVC COUPLINGS. BAND TYPE COMPRESSION COUPLINGS ARE NOT PERMITTED.

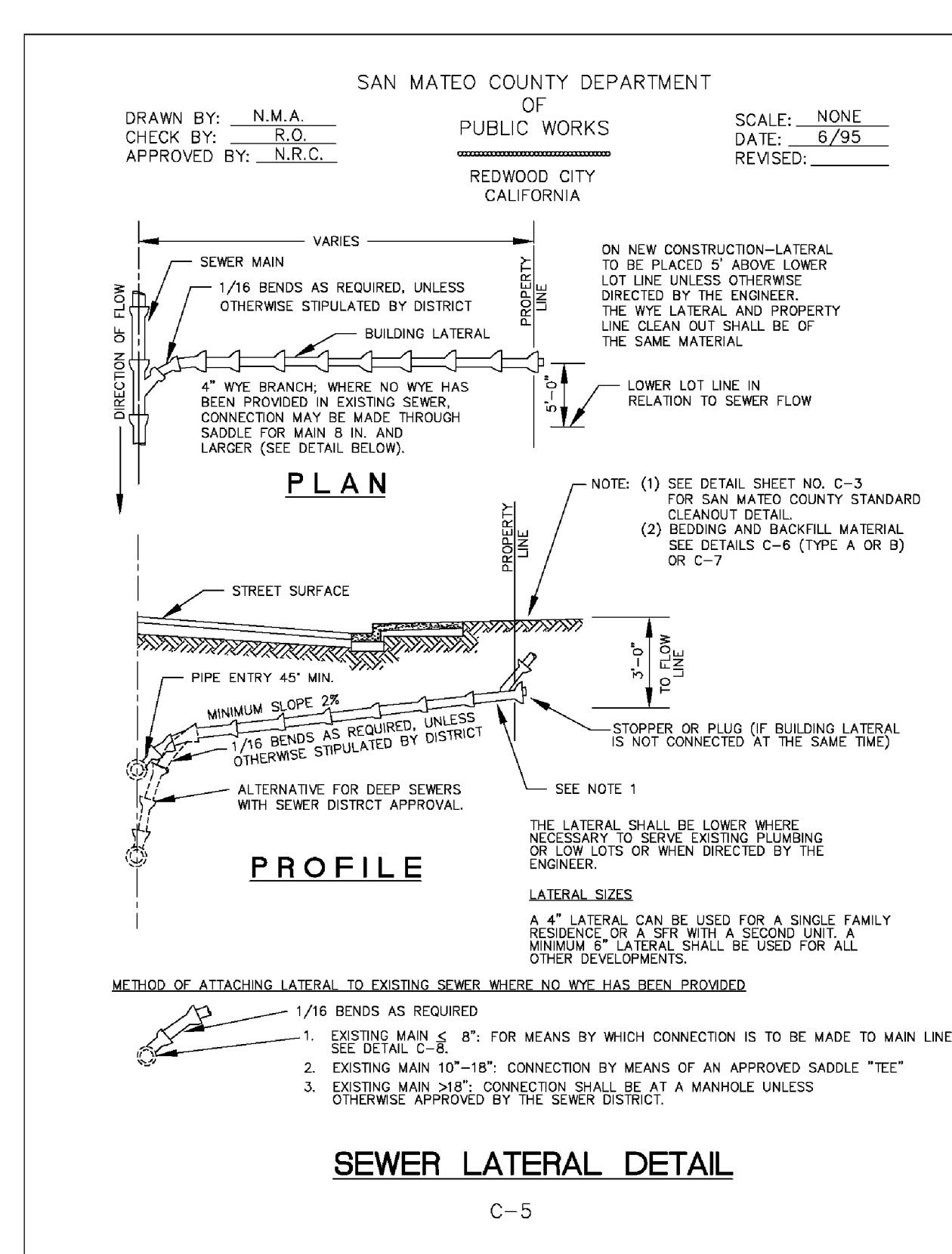
DUCTILE IRON PIPE (DIP)

- ALL PIPE SHALL BE THICKNESS CLASS 50 (FOUR INCH PIPE SHALL BE THICKNESS CLASS 51) IN ACCORDANCE WITH ANSI SPECIFICATIONS A21.51. FITTINGS SHALL BE IN ACCORDANCE WITH ANSI SPECIFICATION A21.10.
- JOINTS SHALL BE PUSH-ON TYPE OR MECHANICAL JOINT TYPE IN ACCORDANCE WITH ANSI SPECIFICATION A21.11. RUBBER GASKETS FOR PUSH-ON JOINTS SHALL BE IN ACCORDANCE WITH ANSI SPECIFICATIONS HEREIN.
- PIPE AND FITTINGS SHALL HAVE A BITUMINOUS COATING OUTSIDE IN ACCORDANCE WITH ASTM SPECIFICATION A746-B6, UNLESS OTHERWISE SPECIFIED HEREIN.
- PIPE AND FITTINGS SHALL HAVE A 1/16" (ONE-SIXTEENTH INCH) CEMENT-MORTAR LINING WITH AN ASPHALTIC SEAL COAT.

VITRIFIED CLAY PIPE (VCP)

- PIPE AND FITTINGS SHALL BE EXTRA STRENGTH, UNGLAZED, BELL AND SPIGOT, CONFORMING TO THE LATEST REVISION OF ASTM SPECIFICATION C700.
- JOINTS SHALL BE A BELL AND SPIGOT ASSEMBLY WITH FACTORY INSTALLED FLEXIBLE COMPRESSION TYPE GASKETS MADE OF PLASTICIZED POLYVINYL OR POLYURETHANE CONFORMING TO THE LATEST REVISION OF ASTM SPECIFICATIONS C425. BAND TYPE COUPLINGS ARE NOT ALLOW.

C-14



DRAWN BY: N.M.A. CHECKED BY: R.O. APPROVED BY: N.R.C. DATE: 8/28/07
 SAN MATEO COUNTY DEPARTMENT OF PUBLIC WORKS
 13318 Old County Road, Belmont, CA 94002
 T: 650.226.8640
 Travis@precision-ec.com

PRECISION ENGINEERING AND CONSTRUCTION, INC.
 13318 Old County Road, Belmont, CA 94002
 T: 650.226.8640
 Travis@precision-ec.com

DATE: _____

REVISIONS:

REGISTERED PROFESSIONAL ENGINEER
 TRAVIS R. LUTHE
 73638
 CIVIL
 STATE OF CALIFORNIA

DETAIL SHEET
NEW RESIDENCE
108 DOLTON AVENUE
SAN CARLOS (SMCO), CA 94070

Date: 05/21/2024

Scale: AS SHOWN

Design: AJP

Check: TRL

Drawing Number: C-4.2

PEC Job No. PEC 24-034